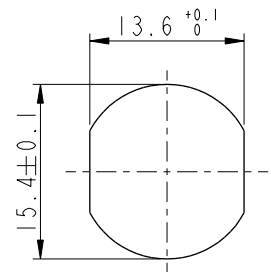
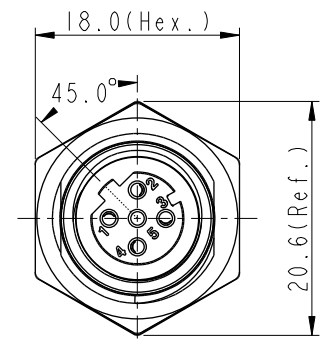
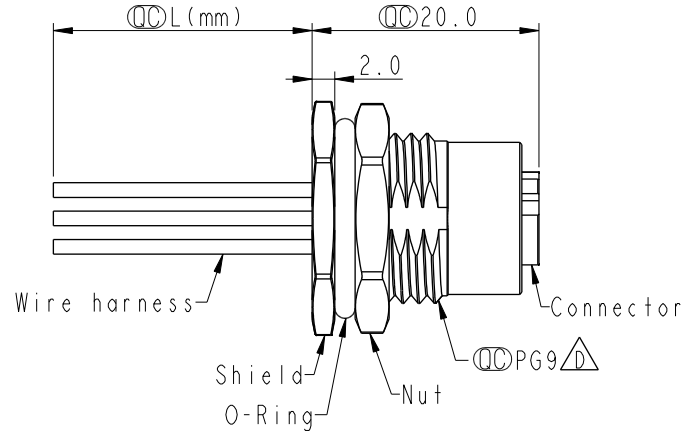
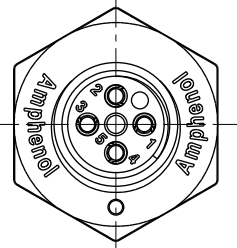


THIS DOCUMENT IS SUBJECT TO CHANGE WITHOUT NOTICE. IT IS CONFIDENTIAL AND A PROPERTY OF Amphenol LTW. DISCLOSURE TO THIRD PARTY HAS TO BE AUTHORIZED BY Amphenol LTW.

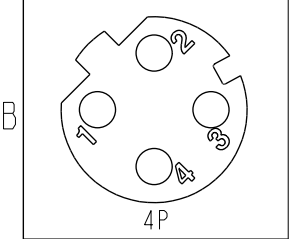
REV.	ECN NO.	DATE	SIGN	DESCRIPTION
E	C210593	2021/04/16	Ruru	X3
F	C221879	2022/12/20	Ruru	X1
G	C231032	2023/08/07	Ruru	X1



Recommended Panel Cut-Out



4	Black	黑
3	Blue	藍
2	White	白
1	Brown	棕
Pin #	Wire	
Pin Out		



Pin Assignments Front View

**M12D-XXPFFC-SF8BXX**

XX: No. Of Pin

- 10: 100mm
- 15: 150mm
- 20: 200mm
- 95: 950mm
- Cable Pitch Unit: 50mm
- A0: 1000mm
- A5: 1500mm
- Cable Pitch Unit: 100mm
- Wire Length(L): 150~1500mm

- Note: **C D E**
- \* RoHS Compliant
  - \* **(C)** Important dimension
  - \* **F** Waterproof rate: IP68, unmated 1m/24h
  - \* **G** IP69K, mated
  - \* Connector
  - Housing: Thermoplastic, Black
  - Pin: Copper alloy, Gold plated
  - O-Ring: Rubber, Green
  - \* Shield: Metal
  - \* Nut: Metal
  - \* O-Ring: Rubber, Black
  - \* Wire harness: UL1061, 22AWG
  - \* For panel thickness max: 4.5mm
  - \* O-Ring and nut are assembled on connectors
  - \* Wire harness tolerance: 100mm: ±10mm
  - 100mm < L ≤ 300mm: ±15mm
  - 300mm < L ≤ 1000mm: ±20mm
  - 1000mm < L ≤ 1500mm: ±50mm

UNIT:mm		TITLE N SEN, M12 D, SCREW RECEPTACLE, F, F, FI/PANEL CRIMP <b>E</b>			ITEM NO		DRAWN BY	DATE
TOLERANCE	.X ±0.25	SCALE 2:1 SIZE A4 SHEET 1 OF 1			DWC NO		Vicky	2019-09-18
.XX ±0.1	M12D-XXPFFC-SF8BXX				CHECKED BY	Rita	DATE	2019-09-18
.XXX ±0.05	REV. G WC-REV. A.5 <b>(C)</b> : Inspection item		CUSTOMER		APPROVED BY	Max	DATE	2019-09-18
ANGLES ±1°	ALTW							

**Amphenol LTW**  
安費諾亮泰企業股份有限公司