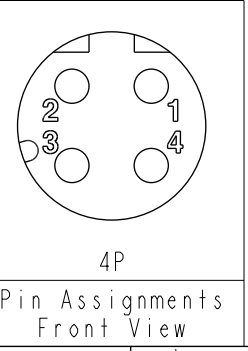
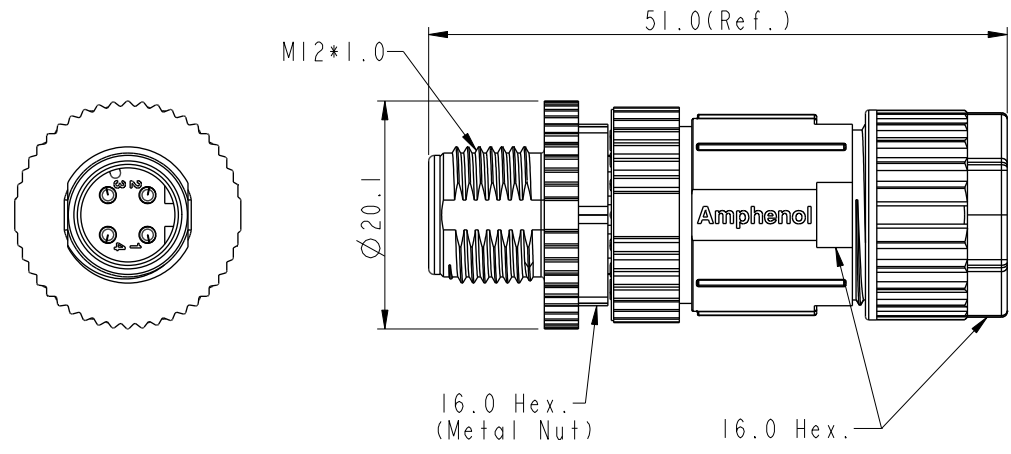
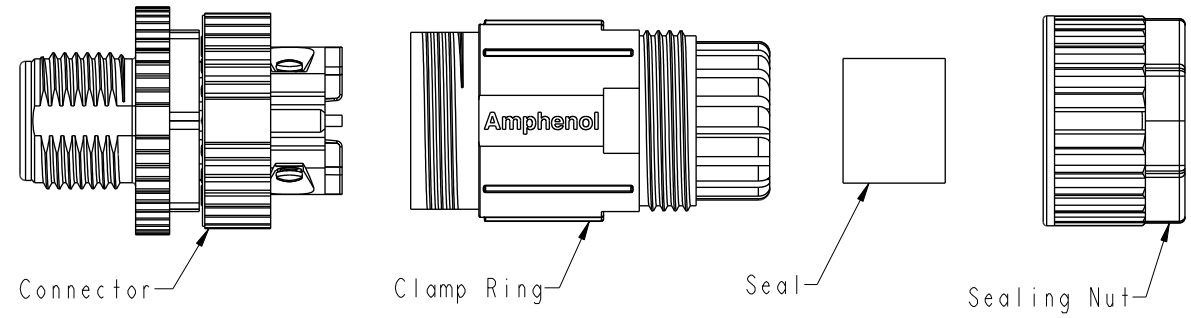


THIS DOCUMENT IS SUBJECT TO CHANGE WITHOUT NOTICE. IT IS CONFIDENTIAL AND A PROPERTY OF Amphenol LTW. DISCLOSURE TO THIRD PARTY HAS TO BE AUTHORIZED BY Amphenol LTW.

REV.	ECN NO.	DATE	SIGN	DESCRIPTION
C	C210025	2021/01/19	Vicky	$\triangle C$ XI
D	C210561	2021/04/13	Vicky	$\triangle D$ X3
E	C221877	2022/12/09	Ruru	$\triangle E$ XI

$\triangle B$ M12D-XXBMMB-SL7001
XX: No. Of Pin



- $\triangle B, \triangle D$
Note:
- * RoHS Compliant
 - * CC Important Dimension
 - $\triangle E$ * Waterproof rate: IP67, mated
 - * Connector
 - Housing: Thermoplastic, Black
 - Pin: Copper alloy, Gold plated
 - Extension Nut: Thermoplastic, Black
 - $\triangle C$ * Nut: Metal
 - * O-Ring: Rubber, Gray
 - * Clamp Ring: Thermoplastic, Black
 - * Sealing Nut: Thermoplastic, Black
 - * Seal: Rubber, Gray, OD: \varnothing 4.0mm~ \varnothing 8.0mm
 - * One set unassembled in one pe bag

UNIT:mm	mm
TOLERANCE	
.X	± 0.25
.XX	± 0.1
.XXX	± 0.05
ANGLES	$\pm 1^\circ$

TITLE N SEN, M12 D, SCREW CABLE W/O SR, M, M, FI SCREW			
SCALE	SIZE	SHEET	OF
1:1	A4	1	1
REV.	WC-REV.	CC : Inspection item	
E	A.2		

Amphenol LTW
安費諾亮泰企業股份有限公司

ITEM NO	DRAWN BY	DATE
	Mila	2015-10-12
DWG NO	CHECKED BY	DATE
$\triangle B$ M12D-XXBMMB-SL7001	Cary	2015-10-12
CUSTOMER	APPROVED BY	DATE
ALTW	Jerry	2015-10-12