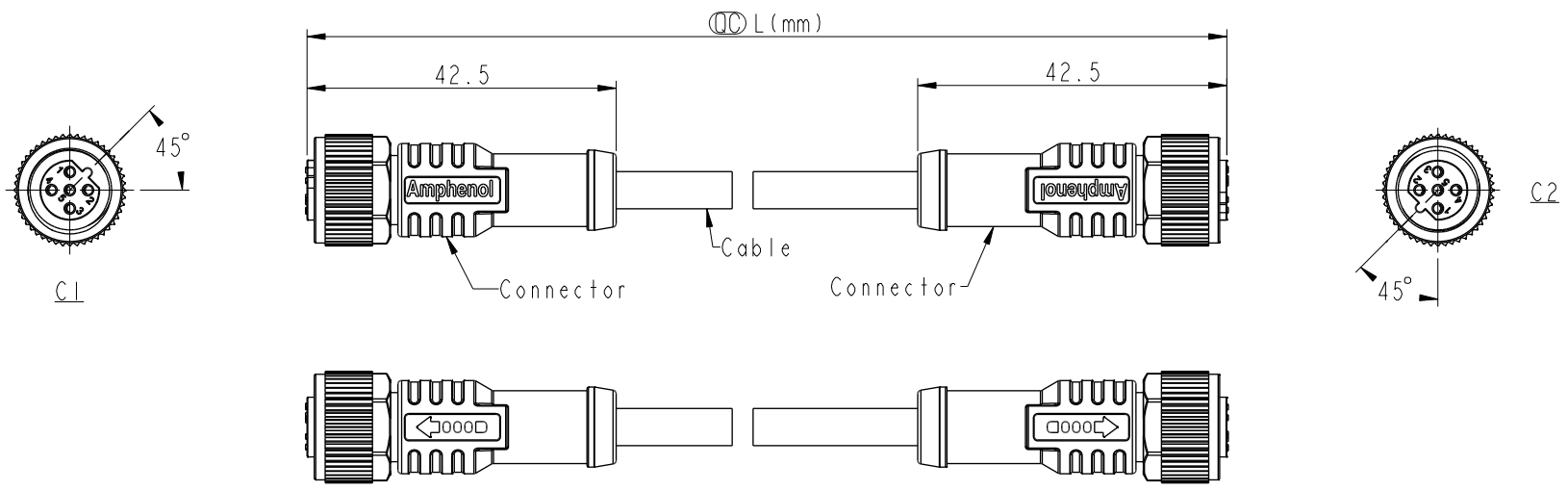


THIS DOCUMENT IS SUBJECT TO CHANGE WITHOUT NOTICE. IT IS CONFIDENTIAL AND A PROPERTY OF Amphenol LTW. DISCLOSURE TO THIRD PARTY HAS TO BE AUTHORIZED BY Amphenol LTW.

REV.	ECN NO.	DATE	SIGN	DESCRIPTION
C	C210024	2021/01/12	Vicky	X1
D	C210235	2021/02/04	Ruru	X2
E	C222001	2022/12/29	Ruru	X1



Pin Out	5 Gary 4 Black 3 Blue 2 White 1 Brown	灰 黑 藍 白 棕
Pin #	Wire	
C1 & C2	<p>5P</p>	

M12BXXFL-12BFL-SBXXX  
 XX: No. Of Pin  
 XXX: 0.5~99Meters  
 A05: 0.5 Meter  
 001: 1 Meter  
 002: 2 Meters  
 :  
 099: 99 Meters

- Note:
- \* RoHS Compliant
  - \* Important dimension
  - \* Waterproof rate: IP68, mated 1m/24h  
IP69K, mated
  - \* Connector:  
 Housing: Thermoplastic, Black  
 Pin: Copper alloy, Gold plated  
 O-Ring: Rubber, Green  
 Nut: Metal  
 Outer mold: Thermoplastic, Black
  - \* Cable: UL20549, 22#\*5C, OD=4.4mm, PUR Jacket, Black
  - \* Cable length tolerance: 0.5M < L ≤ 1M: +60/-0 mm  
 1M < L ≤ 3M: +120/-0 mm  
 3M < L ≤ 5M: +160/-0 mm  
 5M < L ≤ 10M: ±100 mm  
 10M < L ≤ 20M: ±200 mm  
 20M < L ≤ 30M: ±300 mm  
 30M < L ≤ 99M: ±500 mm

UNIT:mm TOLERANCE ±0.5 mm	TITLE ACC, SEN, B Code, DB-ENDED FF		<h1>Amphenol LTW</h1> <p>安費諾亮泰企業股份有限公司</p>	ITEM NO	DRAWN BY Vicky	DATE 2018-12-07		
	SCALE 1:2	SIZE A4		SHEET 1	OF 1	DWG NO M12BXXFL-12BFL-SBXXX	CHECKED BY Rita	DATE 2018-12-07
	REV. E	WC-REV.		: Inspection item		CUSTOMER ALTW	APPROVED BY Max	DATE 2018-12-07