

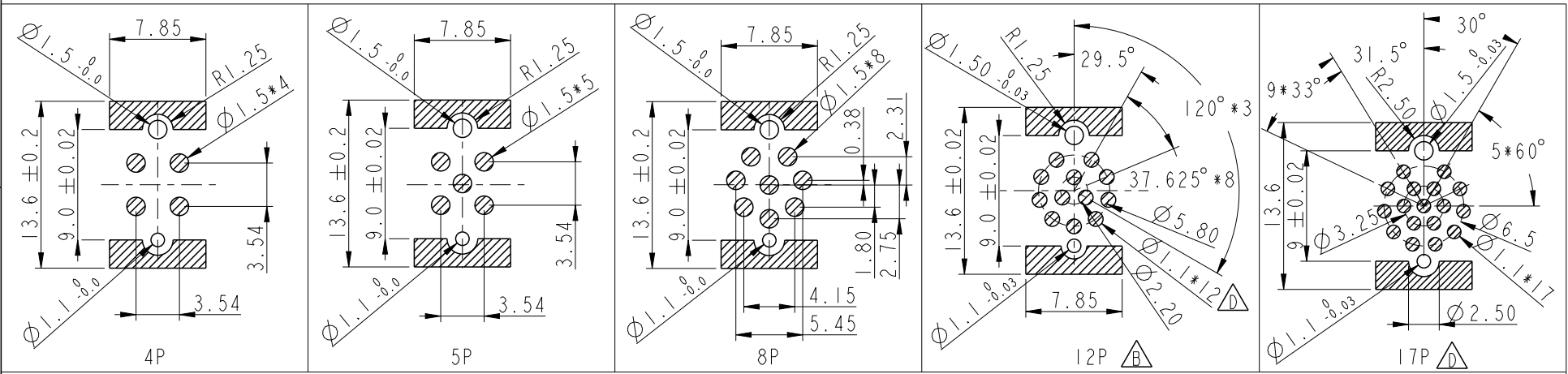
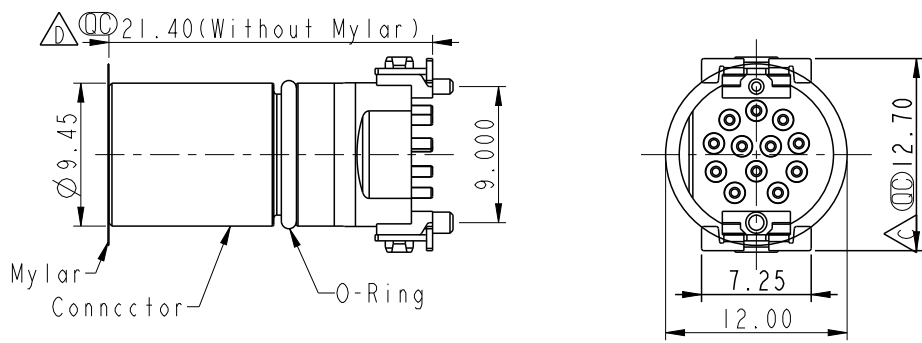
THIS DOCUMENT IS SUBJECT TO CHANGE WITHOUT NOTICE. IT IS CONFIDENTIAL AND A PROPERTY OF Amphenol LTW. DISCLOSURE TO THIRD PARTY HAS TO BE AUTHORIZED BY Amphenol LTW.

| REV. | ECN NO. | DATE       | SIGN    | DESCRIPTION             |
|------|---------|------------|---------|-------------------------|
| B    | C201281 | 2020/08/21 | Allen   | $\triangle B \times 12$ |
| C    | C210309 | 2021/02/25 | Ruru    | $\triangle C \times 6$  |
| D    | C231467 | 2023/11/20 | Yunchen | $\triangle D \times 4$  |

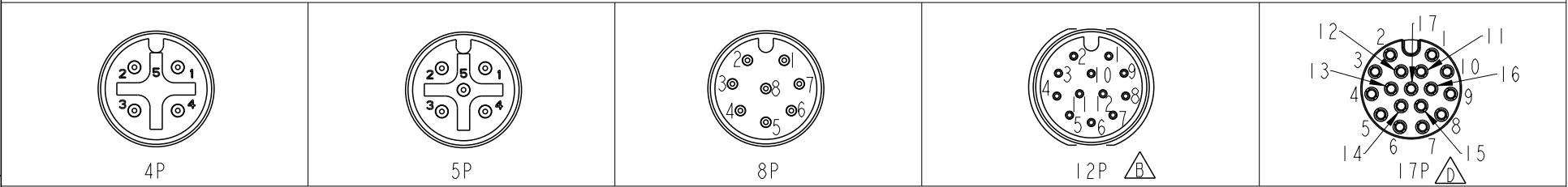
$\triangle B \triangle C$   
M12A-XXPMMT-EE0001

XX: No. Of Pin

$\triangle C$   
Note:  
 \* RoHS Compliant  
 \*  $\text{Ⓞ}$  Important dimension  
 \* Waterproof rate: Non-Waterproof  
 \* Connector  
 Housing: Thermoplastic, Black  
 Pin: Copper Alloy, Gold Plated  
 \* O-Ring: Rubber, Gray  
 \* Mylar: PI, Amber



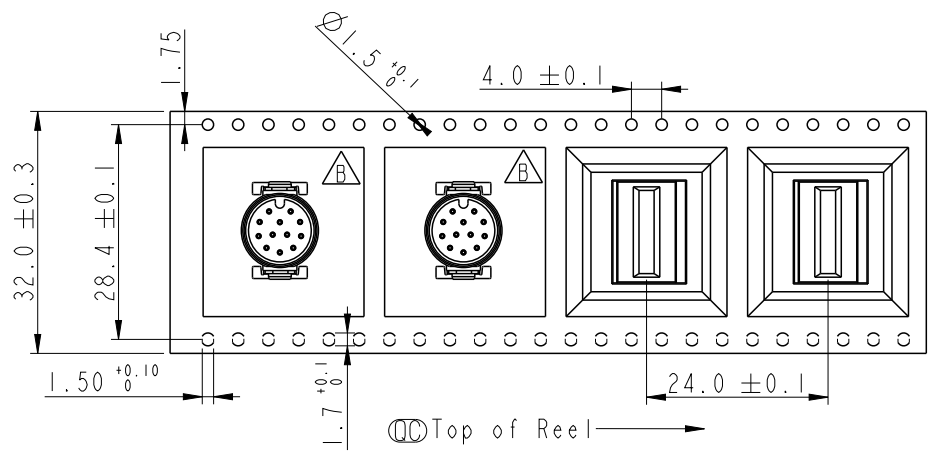
PCB Layout



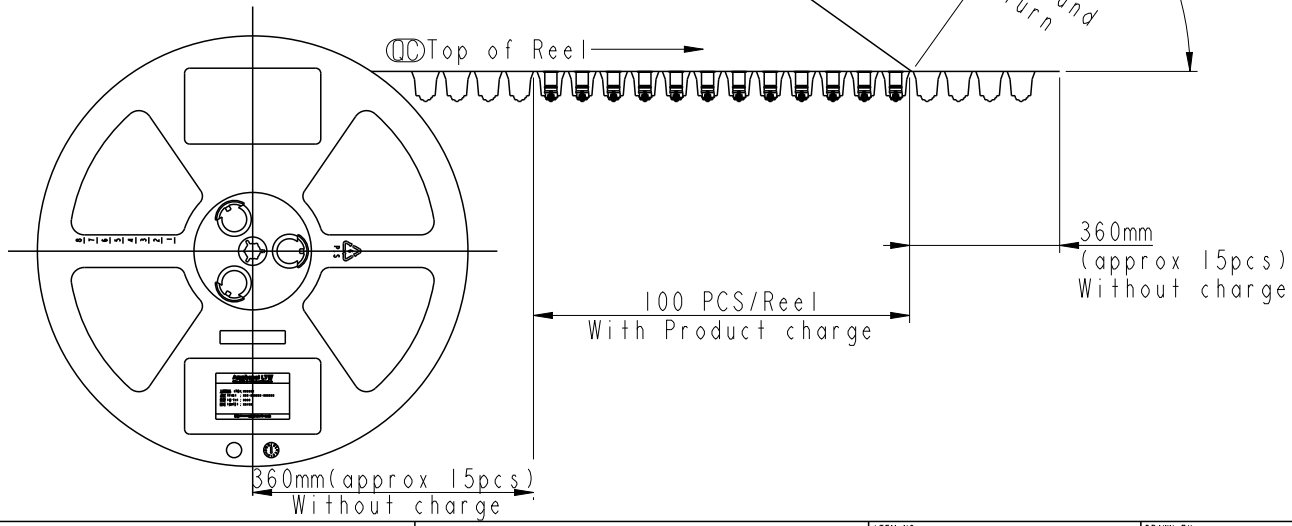
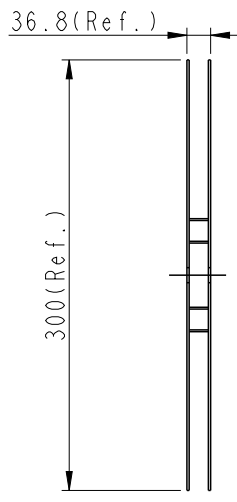
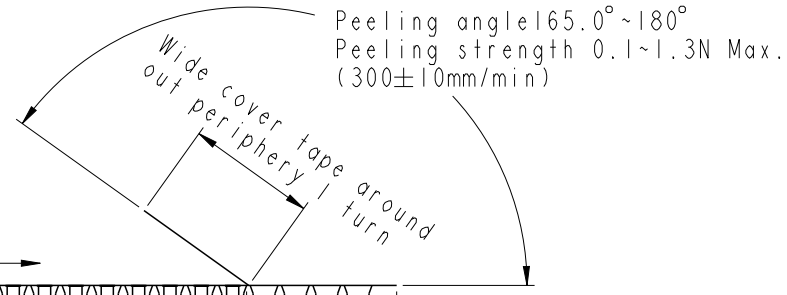
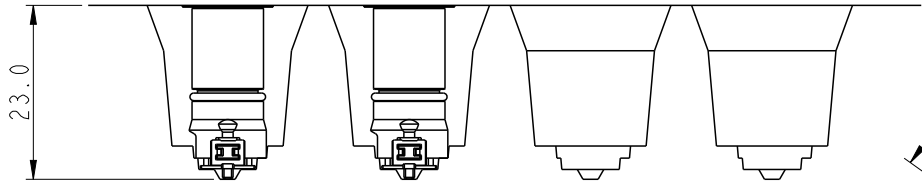
Pin Assignment Front View

|          |  |  |                |  |                              |                  |                              |                    |                    |
|----------|--|--|----------------|--|------------------------------|------------------|------------------------------|--------------------|--------------------|
| UNIT: mm |  | TITLE<br>N SEN, M12 A, NONE RECEPTACLE, M, M, PCB SMT $\triangle C$                    |                | <h1>Amphenol LTW</h1> <p>安費諾亮泰企業股份有限公司</p> | ITEM NO                      | DRAWN BY         | DATE                         |                    |                    |
|          |  | TOLERANCE<br>.X $\pm 0.25$<br>.XX $\pm 0.1$<br>.XXX $\pm 0.05$<br>ANGLES $\pm 1^\circ$ | SCALE<br>2:1   |  | SIZE<br>A4                   | SHEET<br>1 OF 3  | DWG NO<br>M12A-XXPMMT-EE0001 | CHECKED BY<br>Neo  | DATE<br>2020-07-28 |
|          |  | REV.<br>D  | WC-REV.<br>A.1 |  | $\text{Ⓞ}$ : Inspection item | CUSTOMER<br>ALTW | APPROVED BY<br>Fred          | DATE<br>2020-07-28 |                    |

THIS DOCUMENT IS SUBJECT TO CHANGE WITHOUT NOTICE. IT IS CONFIDENTIAL AND A PROPERTY OF Amphenol LTW. DISCLOSURE TO THIRD PARTY HAS TO BE AUTHORIZED BY Amphenol LTW.



Note :  
 Ⓞ\* Connector Orientat follow Drawing



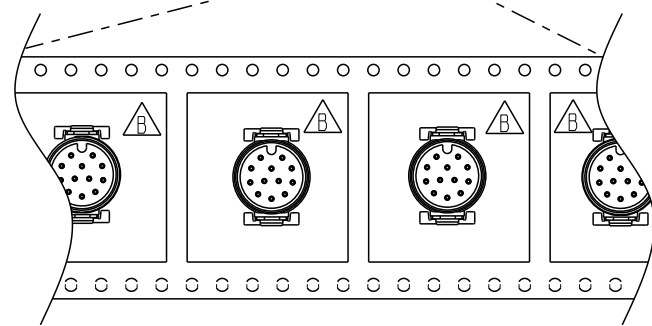
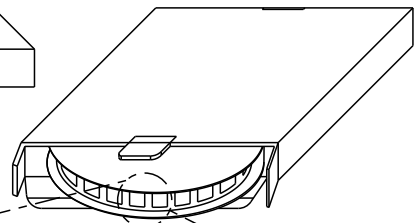
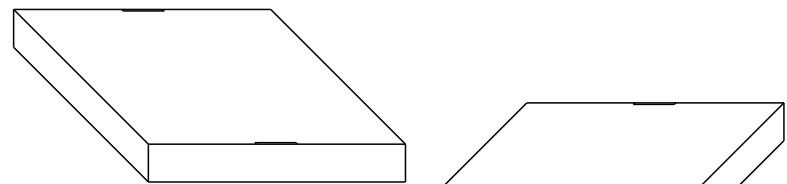
|            |          |  |
|------------|----------|--|
| UNIT: mm   |          |  |
| TOLERANCE  | .X ±0.25 |  |
| .XX ±0.1   |          |  |
| .XXX ±0.05 |          |  |
| ANGLES     | ±1°      |  |

|   |                |                    |  |
|---|----------------|--------------------|--|
| TITLE<br>N SEN, M12 A, NONE RECEPTACLE, M, M, PCB SMT |                |                    |  |
| SCALE<br>FREE   | SIZE<br>A4     | SHEET<br>2 OF 3    |  |
| REV.<br>D   | WC-REV.<br>A.1 | Ⓞ: Inspection item |  |

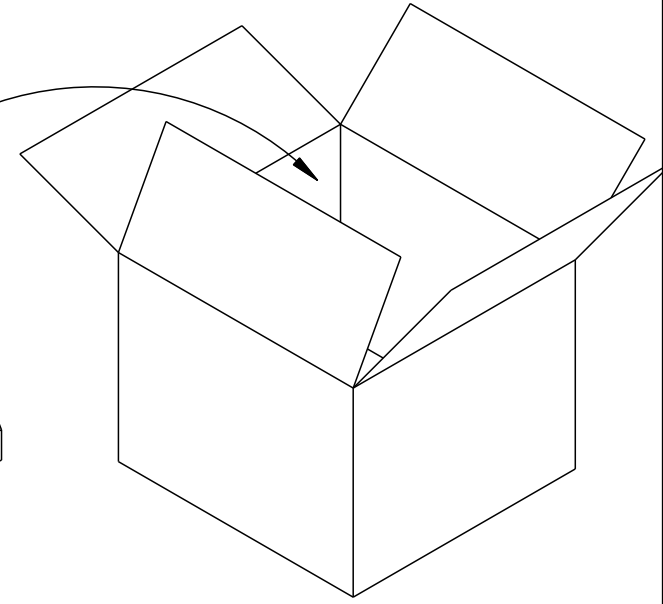
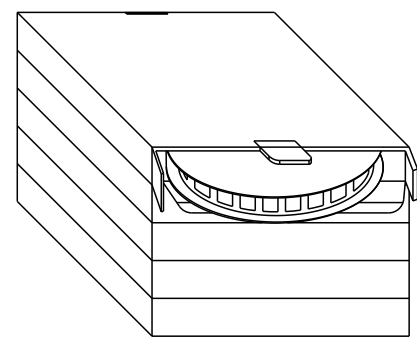
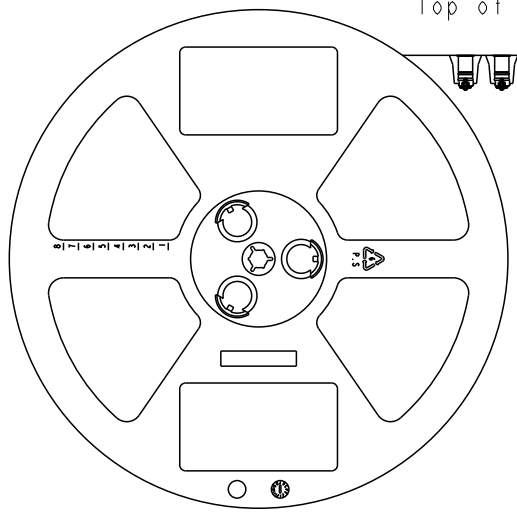
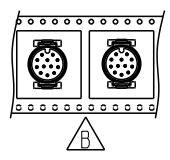
**Amphenol LTW**  
 安費諾亮泰企業股份有限公司

|                              |                     |                    |
|------------------------------|---------------------|--------------------|
| ITEM NO                      | DRAWN BY<br>Yunchen | DATE<br>2020-07-28 |
| DWG NO<br>M12A-XXPMMT-EE0001 | CHECKED BY<br>Neo   | DATE<br>2020-07-28 |
| CUSTOMER<br>ALTW             | APPROVED BY<br>Fred | DATE<br>2020-07-28 |

THIS DOCUMENT IS SUBJECT TO CHANGE WITHOUT NOTICE. IT IS CONFIDENTIAL AND A PROPERTY OF AMPHENOL LTW. DISCLOSURE TO THIRD PARTY HAS TO BE AUTHORIZED BY AMPHENOL LTW.

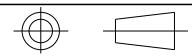


Top of Reel →



Note:  
 100 PCS(Connector)/Tape&Reel Put in a Box  
 5PCS(Max.) Box Put in a Carton

UNIT: mm



TOLERANCE  
 .X ±0.25  
 .XX ±0.1  
 .XXX ±0.05  
 ANGLES ±1°

|   |                |                     |  |
|---|----------------|---------------------|--|
| TITLE<br>N SEN, M12 A, NONE RECEPTACLE, M, M, PCB SMT $\triangle$ |                |                     |  |
| SCALE<br>FREE   | SIZE<br>A4     | SHEET<br>3 OF 3     |  |
| REV.<br>D   | WC-REV.<br>A.1 | QC: Inspection item |  |

**Amphenol LTW**

安費諾亮泰企業股份有限公司

|                              |                     |                    |
|------------------------------|---------------------|--------------------|
| ITEM NO                      | DRAWN BY<br>Yunchen | DATE<br>2020-07-28 |
| DWG NO<br>M12A-XXPMMT-EE0001 | CHECKED BY<br>Neo   | DATE<br>2020-07-28 |
| CUSTOMER<br>ALTW             | APPROVED BY<br>Fred | DATE<br>2020-07-28 |