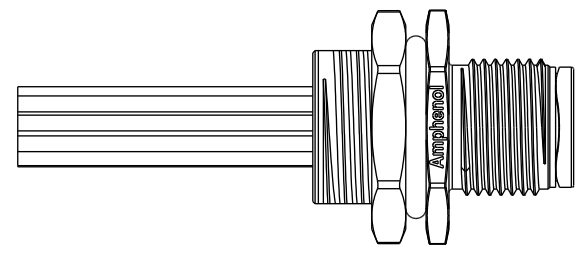
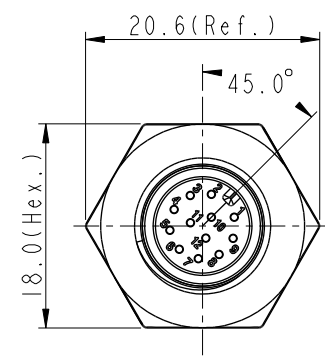
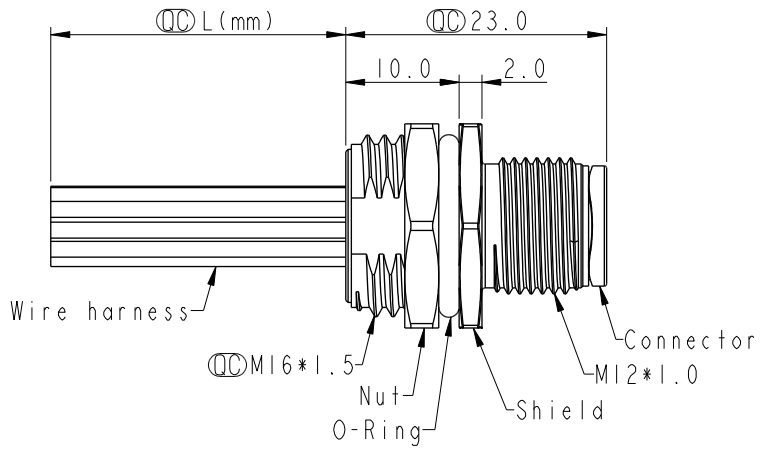
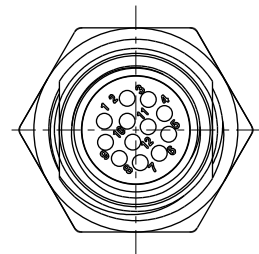
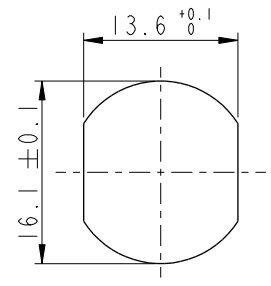


THIS DOCUMENT IS SUBJECT TO CHANGE WITHOUT NOTICE. IT IS CONFIDENTIAL AND A PROPERTY OF Amphenol LTW. DISCLOSURE TO THIRD PARTY HAS TO BE AUTHORIZED BY Amphenol LTW.

| REV. | ECN NO. | DATE       | SIGN | DESCRIPTION |
|------|---------|------------|------|-------------|
| H    | C210593 | 2021/04/15 | Ruru | X4          |
| I    | C221879 | 2022/12/19 | Ruru | X1          |
| J    | C231033 | 2023/08/08 | Ruru | X1          |



- Note:
- \* RoHS Compliant
  - \* Important dimension
  - \* Waterproof rate: IP68, unmated 1m/24h  
 IP69K, mated
  - \* Connector
    - Housing: Thermoplastic, Black
    - Pin: Copper alloy, Gold plated
  - \* Shield: Metal
  - \* Nut: Metal
  - \* O-Ring: Rubber, Black
  - \* Wire harness: UL1061
  - \* For panel thickness max: 4.5mm
  - \* O-Ring and nut are assembled on connectors
  - \* Wire harness tolerance: 100mm: ±10mm  
 100mm < L ≤ 300mm: ±15mm  
 300mm < L ≤ 1000mm: ±20mm  
 1000mm < L ≤ 1500mm: ±50mm



Recommended Panel Cut-Out

|           |       |  |
|-----------|-------|--|
| UNIT: mm  |       |  |
| TOLERANCE |       |  |
| .X        | ±0.25 |  |
| .XX       | ±0.1  |  |
| .XXX      | ±0.05 |  |
| ANGLES    | ±1°   |  |

|   |                |                   |
|---|----------------|-------------------|
| TITLE<br>N SEN, M12 A, SCREW RECEPTACLE, M, M, SOLDER |                |                   |
| SCALE<br>1:1  | SIZE<br>A4     | SHEET<br>1 OF 2   |
| REV.<br>J   | WC-REV.<br>A.5 | : Inspection item |

**Amphenol LTW**  
安費諾亮泰企業股份有限公司

|                              |                    |                    |
|------------------------------|--------------------|--------------------|
| ITEM NO                      | DRAWN BY<br>Ruru   | DATE<br>2019-09-19 |
| DWG NO<br>M12A-XXPMMS-SH8CXX | CHECKED BY<br>Rita | DATE<br>2019-09-19 |
| CUSTOMER<br>ALTW             | APPROVED BY<br>Max | DATE<br>2019-09-19 |

THIS DOCUMENT IS SUBJECT TO CHANGE WITHOUT NOTICE. IT IS CONFIDENTIAL AND A PROPERTY OF AMPHENOL LTW. DISCLOSURE TO THIRD PARTY HAS TO BE AUTHORIZED BY AMPHENOL LTW.

|          |     |                    |
|----------|-----|--------------------|
| 12P      | 26  | M12A-12PMMS-SH8CXX |
| 10P      |     | M12A-10PMMS-SH8CXX |
| 8P       | 24  | M12A-08PMMS-SH8CXX |
| 6P       |     | M12A-06PMMS-SH8CXX |
| Contacts | AWG | Item No.           |

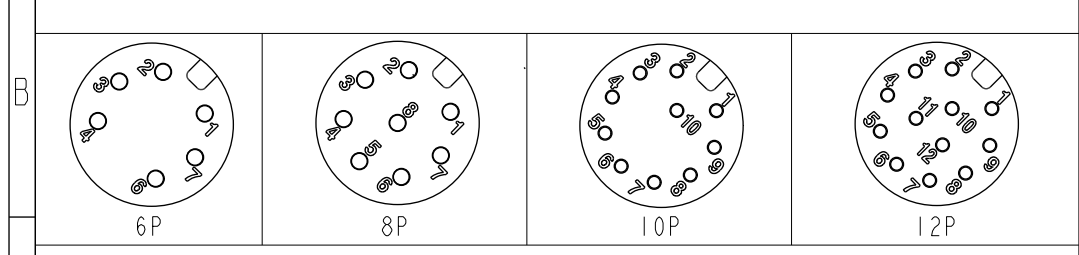
  
 M12A-XXPMMS-SH8CXX

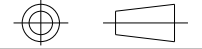

XX: No. Of Pin

10: 100mm  
 15: 150mm  
 20: 200mm  
 }  
 95: 950mm  
 Cable Pitch Unit=50mm

A0: 1000mm  
 }  
 A5: 1500mm  
 Cable Pitch Unit=100mm  
 Wire Length (L): 150~1500 mm

|       |        |       |        |   |       |        |       |           |     |
|-------|--------|-------|--------|---|-------|--------|-------|-----------|-----|
| 8     | --     | 8     | Red    | 紅 | 12    | --     | 12    | Red/Blue  | 紅/藍 |
| 7     | Blue   | 7     | Blue   | 藍 | 11    | --     | 11    | Gray/Pink | 灰/粉 |
| 6     | Pink   | 6     | Pink   | 粉 | 10    | Violet | 10    | Violet    | 紫   |
| 5     | -      | 5     | Gray   | 灰 | 9     | Black  | 9     | Black     | 黑   |
| 4     | Yellow | 4     | Yellow | 黃 | 8     | Red    | 8     | Red       | 紅   |
| 3     | Green  | 3     | Green  | 綠 | 7     | Blue   | 7     | Blue      | 藍   |
| 2     | Brown  | 2     | Brown  | 棕 | 6     | Pink   | 6     | Pink      | 粉   |
| 1     | White  | 1     | White  | 白 | 5     | Gray   | 5     | Gray      | 灰   |
| Pin # | Wire   | Pin # | Wire   |   | Pin # | Wire   | Pin # | Wire      |     |



|   |   |  |
|---|---|--|
| UNIT: mm  |  | TITLE<br>N SEN, M12 A, SCREW<br>RECEPTACLE, M, M, SOLDER  |
| TOLERANCE<br>.X ±0.25<br>.XX ±0.1<br>.XXX ±0.05<br>ANGLES ±1° | SCALE 1:1<br>REV. J   | SIZE A4<br>WC-REV. A.5<br>SHEET 2 OF 2<br>QC: Inspection item  |

**Amphenol LTW**  
 安費諾亮泰企業股份有限公司

|  |             |            |
|--|-------------|------------|
| ITEM NO  | DRAWN BY    | DATE       |
| DWG NO<br> M12A-XXPMMS-SH8CXX | Ruru        | 2019-09-19 |
| CUSTOMER   | CHECKED BY  | DATE       |
| ALTW   | Rita        | 2019-09-19 |
|  | APPROVED BY | DATE       |
|  | Max         | 2019-09-19 |