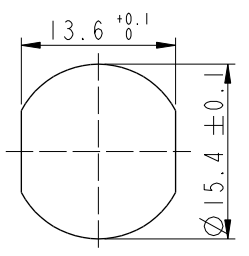


THIS DOCUMENT IS SUBJECT TO CHANGE WITHOUT NOTICE. IT IS CONFIDENTIAL AND A PROPERTY OF Amphenol LTW. DISCLOSURE TO THIRD PARTY HAS TO BE AUTHORIZED BY Amphenol LTW.

REV.	ECN NO.	DATE	SIGN	DESCRIPTION
H	C221973	2022/12/22	Ruru	$\triangle H$ X2
I	C230478	2023/04/11	Jack Liu	$\triangle I$ X4
J	C231034	2023/08/08	Ruru	$\triangle J$ X2

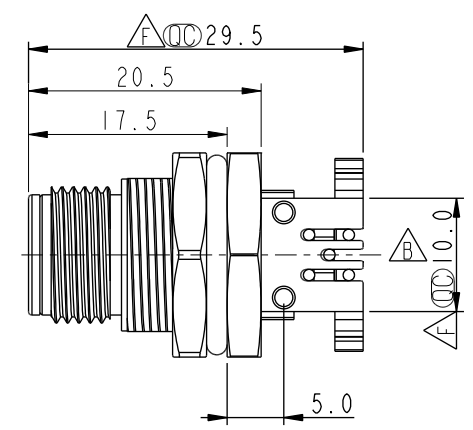
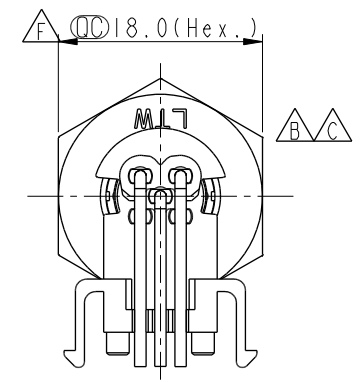
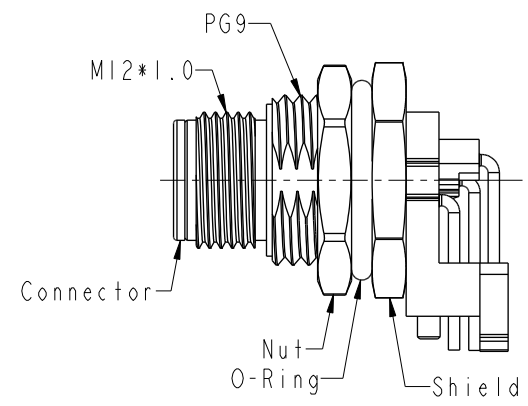
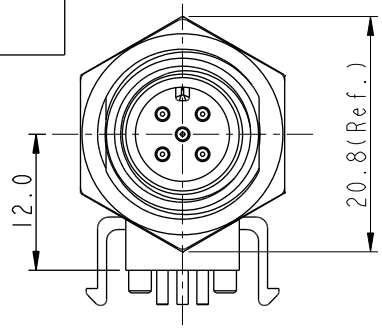
For 3Pins to 5Pins



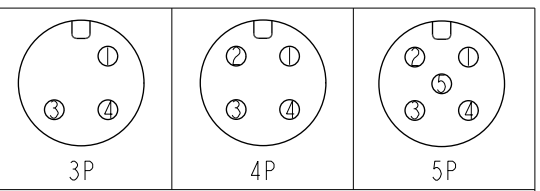
$\triangle D$   
M12A-XXPMMR-SF8001

XX: No. Of Pin

Recommended  
Panel Cut-Out



- $\triangle D$   $\triangle F$  Note:
- \* RoHS Compliant
  - \*  $\text{CC}$  Important dimension
  - \*  $\triangle H$  Waterproof rate: IP68, unmated 1m/24h  
 $\triangle J$  IP69K, mated
  - \* Connector  
Housing: Thermoplastic, Black  
Pin: Copper alloy, Gold plated
  - \*  $\triangle E$  Shield: Metal
  - \*  $\triangle E$  Nut: Metal
  - \* O-Ring: Rubber, Black
  - \* For panel thickness max: 4.5mm
  - \* For pcb thickness max: 1.6mm
  - \* Nut is packed separately in pe bag



Pin Assignment Front View

UNIT:mm	$\text{CC}$	$\text{CC}$
TOLERANCE		
.X	$\pm 0.25$	
.XX	$\pm 0.1$	
.XXX	$\pm 0.05$	
ANGLES	$\pm 1^\circ$	

TITLE N SEN, M12 A, SCREW RECEPTACLE, M, M, PCB R $\triangle F$			
SCALE 3:2	SIZE A4	SHEET 1 OF 3	
REV. J	WC-REV. .0	$\text{CC}$ : Inspection item	

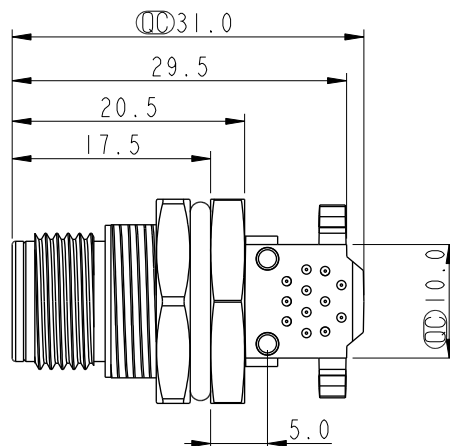
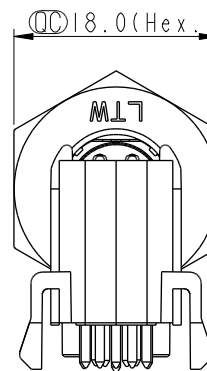
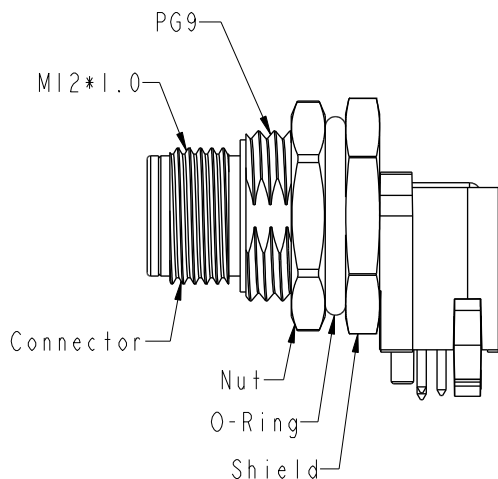
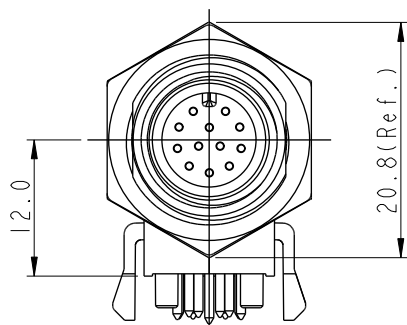
**Amphenol LTW**  
安費諾亮泰企業股份有限公司

ITEM NO.	DRAWN BY Nan_Su	DATE 2019-08-14
DWG NO. $\triangle D$ M12A-XXPMMR-SF8001	CHECKED BY Feng_Li	DATE 2019-08-14
CUSTOMER ALTW	APPROVED BY Jerry	DATE 2019-08-14

THIS DOCUMENT IS SUBJECT TO CHANGE WITHOUT NOTICE. IT IS CONFIDENTIAL AND A PROPERTY OF Amphenol LTW. DISCLOSURE TO THIRD PARTY HAS TO BE AUTHORIZED BY Amphenol LTW.

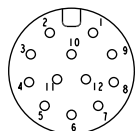
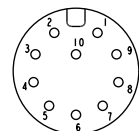


For 10Pins and 12Pins



Note:

- \* RoHS Compliant
- \*  $\varnothing$  Important dimension
- \*  $\triangle$  Waterproof rate: IP68, unmated 1m/24h  
 $\triangle$  IP69K, mated
- \* Connector  
 Housing: Thermoplastic, Black  
 Pin: Copper alloy, Gold plated
- \* Shield: Metal
- \* Nut: Metal
- \* O-Ring: Rubber, Black
- \* For panel thickness max: 4.5mm
- \* For pcb thickness max: 0.8~2.4mm
- \* Nut is packed separately in pe bag



10P      12P

Pin Assignment Front View

UNIT:mm		
TOLERANCE		
.X	±0.25	
.XX	±0.1	
.XXX	±0.05	
ANGLES	±1°	

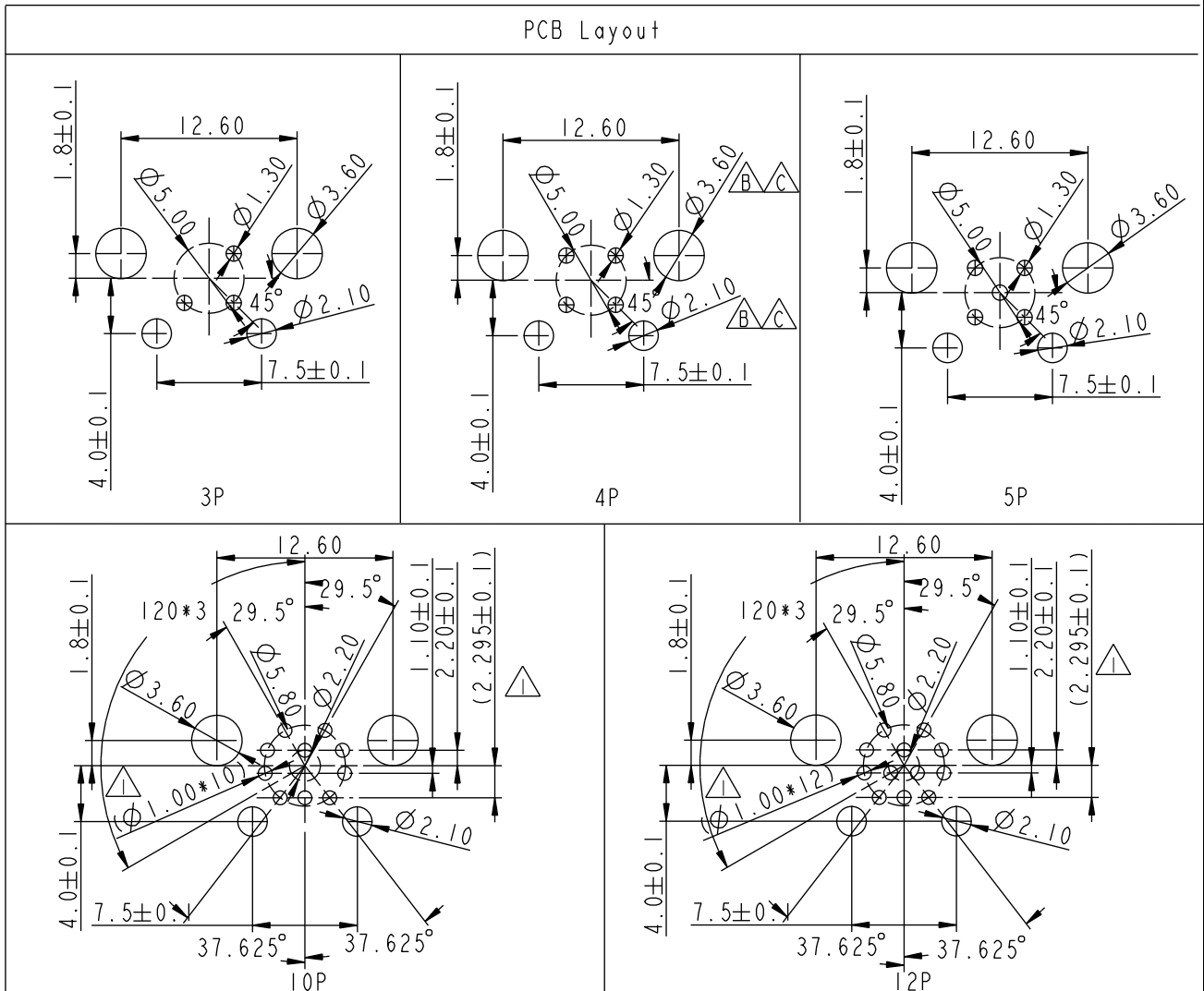
TITLE N SEN, M12 A, SCREW RECEPTACLE, M, M, PCB R			
SCALE 3:2	SIZE A4	SHEET 2 OF 3	
REV. J	WC-REV. .0	$\varnothing$ : Inspection item	

**Amphenol LTW**  
安費諾亮泰企業股份有限公司

ITEM NO	DRAWN BY Nan_Su	DATE 2019-08-14
DWG NO M12A-XXPMMR-SF8001	CHECKED BY Feng_Li	DATE 2019-08-14
CUSTOMER ALTW	APPROVED BY Jerry	DATE 2019-08-14

THIS DOCUMENT IS SUBJECT TO CHANGE WITHOUT NOTICE. IT IS CONFIDENTIAL AND A PROPERTY OF Amphenol LTW. DISCLOSURE TO THIRD PARTY HAS TO BE AUTHORIZED BY Amphenol LTW.

PCB Layout



G

F

E

D

C

B

A

UNIT: mm		TITLE N SEN, M12 A, SCREW RECEPTACLE, M, M, PCB R	
TOLERANCE		SCALE	SIZE
.X	±0.25	3:2	A4
.XX	±0.1	REV.	J
.XXX	±0.05	WC-REV.	.0
ANGLES	±1°	SHEET 3 OF 3	
		①: Inspection item	

**Amphenol LTW**  
安費諾亮泰企業股份有限公司

ITEM NO	DWG NO	CUSTOMER	DRAWN BY	DATE
	M12A-XXPMR-SF8001	ALTW	Nan_Su	2019-08-14
			CHECKED BY	DATE
			Feng_Li	2019-08-14
			APPROVED BY	DATE
			Jerry	2019-08-14