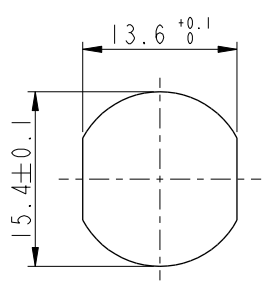
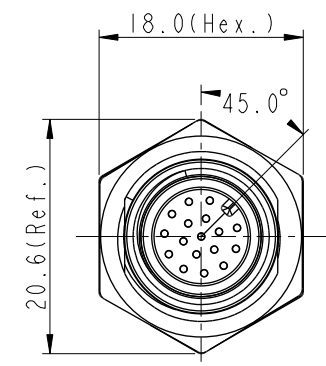
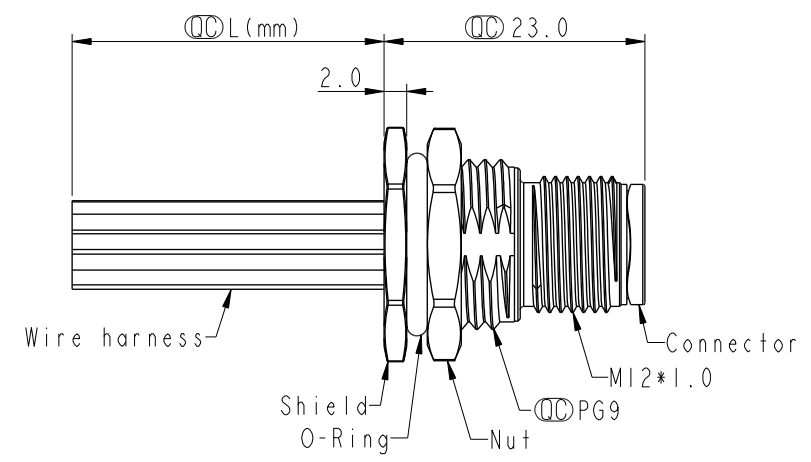
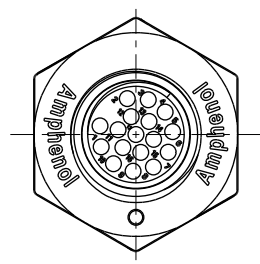


THIS DOCUMENT IS SUBJECT TO CHANGE WITHOUT NOTICE. IT IS CONFIDENTIAL AND A PROPERTY OF Amphenol LTW. DISCLOSURE TO THIRD PARTY HAS TO BE AUTHORIZED BY Amphenol LTW.

REV.	ECN NO.	DATE	SIGN	DESCRIPTION
H	C210239	2021/02/04	Ruru	\triangle H X4
I	C221878	2022/12/19	Ruru	\triangle I X1
J	C231031	2023/08/04	Ruru	\triangle J X1



Recommended Panel Cut-Out

- Note: \triangle C \triangle D \triangle F \triangle G \triangle H
- * RoHS Compliant
 - * $\text{\textcircled{L}}$ Important dimension
 - \triangle * Waterproof rate: IP68, unmated 1m/24h
 \triangle J IP69K, mated
 - * Connector
 Housing: Thermoplastic, Black
 Pin: Copper alloy, Gold plated
 - * Shield: Metal
 - * Nut: Metal
 - * O-Ring: Rubber, Black
 - * Wire harness: UL1061
 - * For panel thickness max: 4.5mm
 - * O-Ring and nut are assembled on connectors
 - * Wire harness tolerance: 100mm: ± 10 mm
 100mm < L \leq 300mm: ± 15 mm
 300mm < L \leq 1000mm: ± 20 mm
 1000mm < L \leq 1500mm: ± 50 mm

UNIT: mm		
TOLERANCE	± 0.25	
.X	± 0.1	
.XX	± 0.05	
.XXX	± 0.05	
ANGLES	$\pm 1^\circ$	

TITLE N SEN, M12 A, SCREW RECEPTACLE, M, M, FI/PANEL CRIMP			
SCALE 1:1	SIZE A4	SHEET 1 OF 2	
REV. J	WC-REV. A.5	$\text{\textcircled{L}}$: Inspection item	

Amphenol LTW
安費諾亮泰企業股份有限公司

ITEM NO.	DRAWN BY Ruru	DATE 2019-09-19
DWG NO. \triangle E M12A-XXPMMC-SF8BXX	CHECKED BY Rita	DATE 2019-09-19
CUSTOMER ALTW	APPROVED BY Max	DATE 2019-09-19

THIS DOCUMENT IS SUBJECT TO CHANGE WITHOUT NOTICE. IT IS CONFIDENTIAL AND A PROPERTY OF Amphenol LTW. DISCLOSURE TO THIRD PARTY HAS TO BE AUTHORIZED BY Amphenol LTW.

E	17P	26	M12A-17PMMC-SF8BXX
	5P	22	M12A-05PMMC-SF8BXX
	4P		M12A-04PMMC-SF8BXX
	3P		M12A-03PMMC-SF8BXX
Contacts	AWG	Item No.	


 M12A-XXPMMC-SF8BXX

XX: No. Of Pin



10: 100mm
 15: 150mm
 20: 200mm
 }
 95: 950mm
 Cable Pitch Unit=50mm

 A0: 1000mm
 }
 A5: 1500mm
 Cable Pitch Unit=100mm
 Wire Length (L): 150~1500 mm


D	Pin Out	5 --	5 --	5 Gray 灰	17 White/Gray 白/灰
		4 Black 黑	4 Black 黑	4 Black 黑	16 Yellow/Brown 黃/棕
C	Conn.	3 Blue 藍	3 Blue 藍	3 Blue 藍	15 White/Yellow 白/黃
		2 --	2 White 白	2 White 白	14 Brown/Green 棕/綠
B	Conn.	1 Brown 棕	1 Brown 棕	1 Brown 棕	13 White/Green 白/綠
					12 Red/Blue 紅/藍
A	Conn.				11 Gray/Pink 灰/粉
					10 Violet 紫
					9 Red 紅
					8 Gray 灰
					7 Black 黑
					6 Yellow 黃
					5 Pink 粉
					4 Green 綠
					3 White 白
					2 Blue 藍
					1 Brown 棕



Pin Assignments Front View

UNIT: mm		TITLE N SEN, M12 A, SCREW RECEPTACLE, M, M, FI/PANEL CRIMP	
TOLERANCE .X ±0.25 .XX ±0.1 .XXX ±0.05 ANGLES ±1°		SCALE 1:1 SIZE A4 SHEET 2 OF 2 REV. J WC-REV. A.5 QC: Inspection item	

Amphenol LTW
 安費諾亮泰企業股份有限公司

ITEM NO	DRAWN BY	DATE
	Ruru	2019-09-19
DWG NO	CHECKED BY	DATE
 M12A-XXPMMC-SF8BXX	Rita	2019-09-19
CUSTOMER	APPROVED BY	DATE
ALTW	Max	2019-09-19