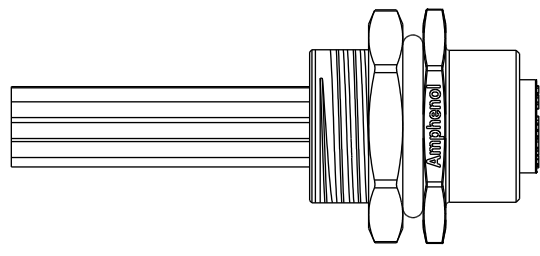
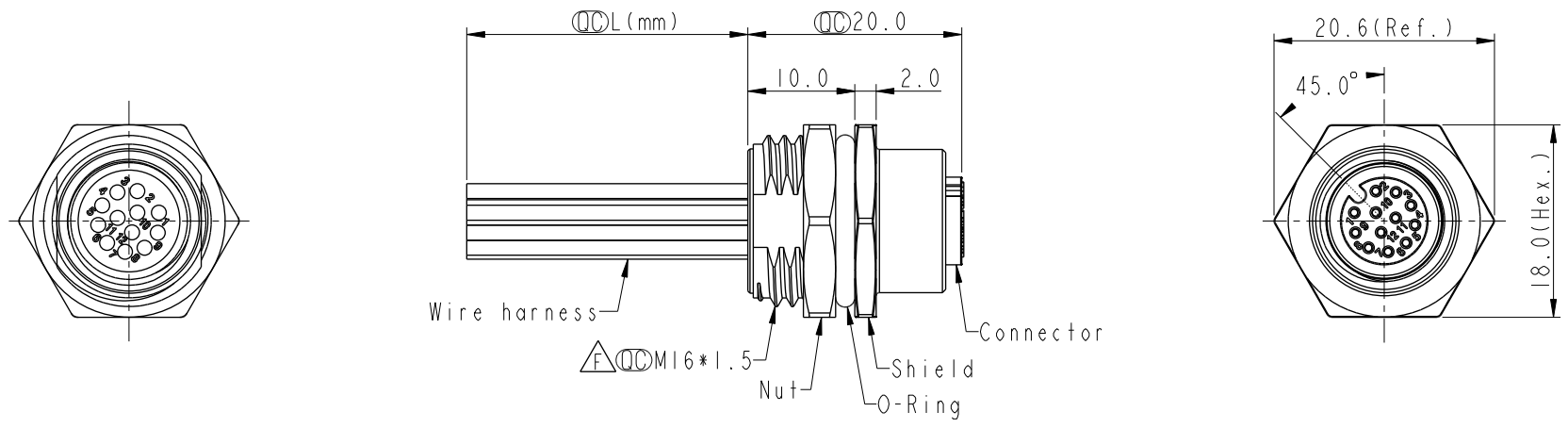
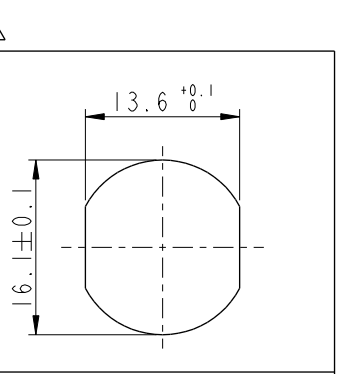


THIS DOCUMENT IS SUBJECT TO CHANGE WITHOUT NOTICE. IT IS CONFIDENTIAL AND A PROPERTY OF AMPHENOL LTW. DISCLOSURE TO THIRD PARTY HAS TO BE AUTHORIZED BY AMPHENOL LTW.

| REV. | ECN NO. | DATE | SIGN | DESCRIPTION |
|------|---------|------------|------|------------------|
| G | C210239 | 2021/04/13 | Ruru | $\triangle G$ X4 |
| H | C221878 | 2022/12/19 | Ruru | $\triangle H$ XI |
| I | C231033 | 2023/08/07 | Ruru | $\triangle I$ XI |



- Note: $\triangle C \triangle D \triangle E \triangle F \triangle G$
- * RoHS Compliant
 - * \textcircled{C} Important dimension
 - $\triangle H$ * Waterproof rate: IP68, unmated 1m/24h
 $\triangle I$ IP69K, mated
 - * Connector
 - Housing: Thermoplastic, Black
 - Pin: Copper alloy, Gold plated
 - O-Ring: Rubber, Green
 - * Shield: Metal
 - * Nut: Metal
 - * O-Ring: Rubber, Black
 - * Wire harness: UL1061
 - * For panel thickness max: 4.5mm
 - * O-Ring and nut are assembled on connectors
 - * Wire harness tolerance:
 - 100mm: ± 10 mm
 - 100mm < L \leq 300mm: ± 15 mm
 - 300mm < L \leq 1000mm: ± 20 mm
 - 1000mm < L \leq 1500mm: ± 50 mm



Recommended Panel Cut-Out


| | | |
|-----------|-------------------|-------------------|
| UNIT: mm | \textcircled{C} | \textcircled{D} |
| TOLERANCE | ± 0.25 | ± 0.1 |
| .X | ± 0.1 | ± 0.1 |
| .XX | ± 0.05 | ± 0.05 |
| .XXX | ± 0.05 | ± 0.05 |
| ANGLES | $\pm 1^\circ$ | $\pm 1^\circ$ |

| | | |
|---|----------------|-------------------------------------|
| TITLE N SEN, M12 A, SCREW RECEPTACLE, F, F, SOLDER $\triangle G$ | | |
| SCALE 3:2 | SIZE A4 | SHEET 1 OF 2 |
| REV. 1 | WC-REV. A.3 | \textcircled{C} : Inspection item |

Amphenol LTW
安費諾亮泰企業股份有限公司

| | | |
|---|--------------------|--------------------|
| ITEM NO. | DRAWN BY Ruru | DATE 2019-09-19 |
| DWG NO. $\triangle E$ M12A-XXPFFS-SH8CXX | CHECKED BY Rita | DATE 2019-09-19 |
| CUSTOMER ALTW | APPROVED BY Max | DATE 2019-09-19 |

THIS DOCUMENT IS SUBJECT TO CHANGE WITHOUT NOTICE. IT IS CONFIDENTIAL AND A PROPERTY OF Amphenol LTW. DISCLOSURE TO THIRD PARTY HAS TO BE AUTHORIZED BY Amphenol LTW.

| | | | |
|--|-----|----------|--------------------|
|  | 12P | 26 | M12A-12PFFS-SH8CXX |
| | 10P | | M12A-10PFFS-SH8CXX |
| | 8P | 24 | M12A-08PFFS-SH8CXX |
| | 6P | | M12A-06PFFS-SH8CXX |
| Contacts | AWG | Item No. | |

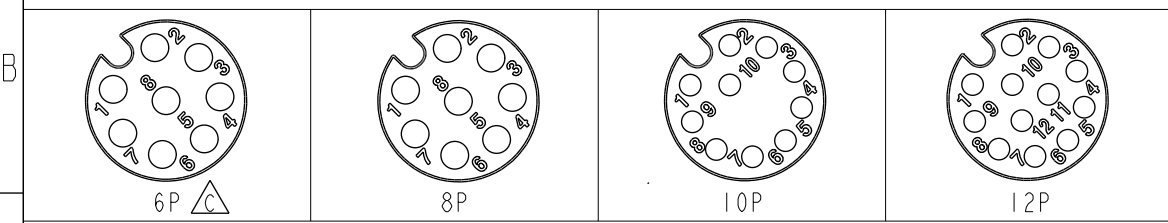

 M12A-XXPFFS-SH8CXX

XX: No. Of Pin

10: 100mm
 15: 150mm
 20: 200mm
 }
 95: 950mm
 Cable Pitch Unit=50mm

A0: 1000mm
 }
 A5: 1500mm
 Cable Pitch Unit=100mm
 Wire Length (L): 150~1500 mm

| | | | | | | | | | | | | | |
|-------|--------|-------|--------|---|-------|--------|---|-------|--------|---|-------|--------|---|
| 8 | -- | 8 | Red | 紅 | 8 | Red | 紅 | 8 | Red | 紅 | 8 | Red | 紅 |
| 7 | Blue | 7 | Blue | 藍 | 7 | Blue | 藍 | 7 | Blue | 藍 | 7 | Blue | 藍 |
| 6 | Pink | 6 | Pink | 粉 | 6 | Pink | 粉 | 6 | Pink | 粉 | 6 | Pink | 粉 |
| 5 | -- | 5 | Gray | 灰 | 5 | Gray | 灰 | 5 | Gray | 灰 | 5 | Gray | 灰 |
| 4 | Yellow | 4 | Yellow | 黃 | 4 | Yellow | 黃 | 4 | Yellow | 黃 | 4 | Yellow | 黃 |
| 3 | Green | 3 | Green | 綠 | 3 | Green | 綠 | 3 | Green | 綠 | 3 | Green | 綠 |
| 2 | Brown | 2 | Brown | 棕 | 2 | Brown | 棕 | 2 | Brown | 棕 | 2 | Brown | 棕 |
| 1 | White | 1 | White | 白 | 1 | White | 白 | 1 | White | 白 | 1 | White | 白 |
| Pin # | Wire | Pin # | Wire | | Pin # | Wire | | Pin # | Wire | | Pin # | Wire | |



| | | | | | | | |
|--|---|----------------|--|------------------|-------------------------------|--|--------------------|
| UNIT: mm  TOLERANCE .X ±0.25 .XX ±0.1 .XXX ±0.05 ANGLES ±1° | TITLE N SEN, M12 A, SCREW RECEPTACLE, F, F, SOLDER  | | <h1 style="text-align: center;">Amphenol LTW</h1> <h2 style="text-align: center;">安費諾亮泰企業股份有限公司</h2> | | ITEM NO M12A-XXPFFS-SH8CXX | DRAWN BY Ruru | DATE 2019-09-19 |
| | SCALE 3:2 | SIZE A4 | | | SHEET 2 OF 2 | DWG NO  M12A-XXPFFS-SH8CXX | CHECKED BY Rita |
| | REV. 1 | WC-REV. A.3 |  Inspection item | CUSTOMER ALTW | APPROVED BY Max | DATE 2019-09-19 | |