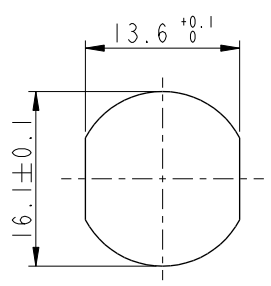
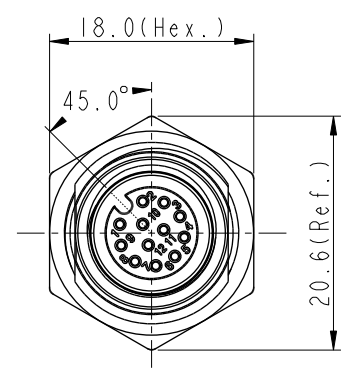
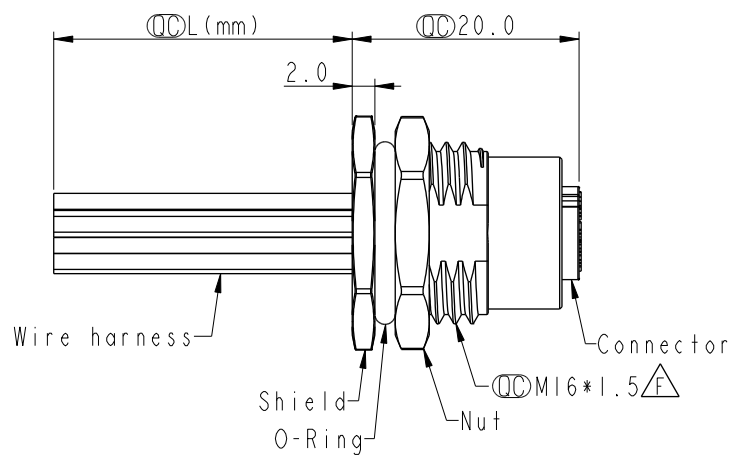
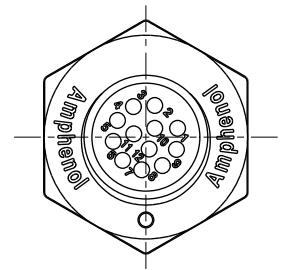


THIS DOCUMENT IS SUBJECT TO CHANGE WITHOUT NOTICE. IT IS CONFIDENTIAL AND A PROPERTY OF Amphenol LTW. DISCLOSURE TO THIRD PARTY HAS TO BE AUTHORIZED BY Amphenol LTW.

REV.	ECN NO.	DATE	SIGN	DESCRIPTION
G	C210239	2021/04/13	Ruru	$\triangle G$ X4
H	C221878	2022/12/19	Ruru	$\triangle H$ X1
I	C231033	2023/08/07	Ruru	$\triangle I$ X1



Recommended Panel Cut-Out

- Note: $\triangle C$ $\triangle D$ $\triangle F$ $\triangle G$
- * RoHS Compliant
 - * \odot Important dimension
 - $\triangle H$ * Waterproof rate: IP68, unmated 1m/24h
 $\triangle I$ IP69K, mated
 - * Connector
 - Housing: Thermoplastic, Black
 - Pin: Copper alloy, Gold plated
 - O-Ring: Rubber, Green
 - * Shield: Metal
 - * Nut: Metal
 - * O-Ring: Rubber, Black
 - * Wire harness: UL1061
 - * For panel thickness max: 4.5mm
 - * O-Ring and nut are assembled on connectors
 - * Wire harness tolerance: 100mm: ± 10 mm
 100mm < L \leq 300mm: ± 15 mm
 300mm < L \leq 1000mm: ± 20 mm
 1000mm < L \leq 1500mm: ± 50 mm


UNIT: mm	
TOLERANCE	
.X	± 0.25
.XX	± 0.1
.XXX	± 0.05
ANGLES	$\pm 1^\circ$

TITLE N SEN, M12 A, SCREW RECEPTACLE, F, F, SOLDER $\triangle G$			
SCALE 3:2	SIZE A4	SHEET 1 OF 2	
REV. 1	WC-REV. A.3	\odot : Inspection item	

Amphenol LTW
 安費諾亮泰企業股份有限公司

ITEM NO.	DRAWN BY Ruru	DATE 2019-09-19
DWG NO. $\triangle E$ M12A-XXPFFS-SF8CXX	CHECKED BY Rita	DATE 2019-09-19
CUSTOMER ALTW	APPROVED BY Max	DATE 2019-09-19

THIS DOCUMENT IS SUBJECT TO CHANGE WITHOUT NOTICE. IT IS CONFIDENTIAL AND A PROPERTY OF AMPHENOL LTW. DISCLOSURE TO THIRD PARTY HAS TO BE AUTHORIZED BY AMPHENOL LTW.

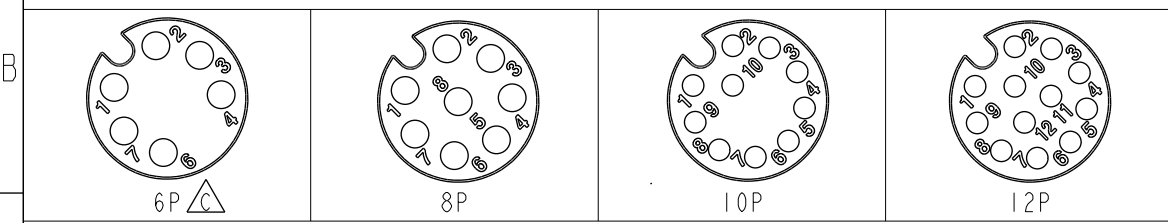
	12P	26	M12A-12PFFS-SF8CXX
	10P		M12A-10PFFS-SF8CXX
	8P	24	M12A-08PFFS-SF8CXX
	6P		M12A-06PFFS-SF8CXX
Contacts	AWG	Item No.	



XX: No. Of Pin

- 10: 100mm
- 15: 150mm
- 20: 200mm
- ∫
- 95: 950mm
- Cable Pitch Unit=50mm
- A0: 1000mm
- ∫
- A5: 1500mm
- Cable Pitch Unit=100mm
- Wire Length (L): 150~1500 mm

8	--	8	Red	紅	8	Red	紅	8	Red	紅	8	Red	紅
7	Blue	7	Blue	藍	7	Blue	藍	7	Blue	藍	7	Blue	藍
6	Pink	6	Pink	粉	6	Pink	粉	6	Pink	粉	6	Pink	粉
5	--	5	Gray	灰	5	Gray	灰	5	Gray	灰	5	Gray	灰
4	Yellow	4	Yellow	黃	4	Yellow	黃	4	Yellow	黃	4	Yellow	黃
3	Green	3	Green	綠	3	Green	綠	3	Green	綠	3	Green	綠
2	Brown	2	Brown	棕	2	Brown	棕	2	Brown	棕	2	Brown	棕
1	White	1	White	白	1	White	白	1	White	白	1	White	白
Pin #	Wire	Pin #	Wire		Pin #	Wire		Pin #	Wire		Pin #	Wire	



UNIT: mm  TOLERANCE .X ±0.25 .XX ±0.1 .XXX ±0.05 ANGLES ±1°	TITLE N SEN, M12 A, SCREW RECEPTACLE, F, F, SOLDER 			<h1 style="text-align: center;">Amphenol LTW</h1> <h2 style="text-align: center;">安費諾亮泰企業股份有限公司</h2>		ITEM NO M12A-XXPFFS-SF8CXX	DRAWN BY Ruru	DATE 2019-09-19
	SCALE 3:2	SIZE A4	SHEET 2 OF 2			DWG NO  M12A-XXPFFS-SF8CXX	CHECKED BY Rita	DATE 2019-09-19
	REV. 1	WC-REV. A.3	 : Inspection item			CUSTOMER ALTW	APPROVED BY Max	DATE 2019-09-19