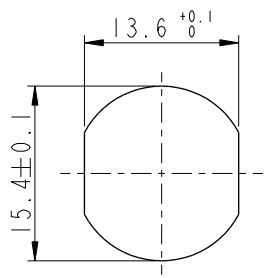
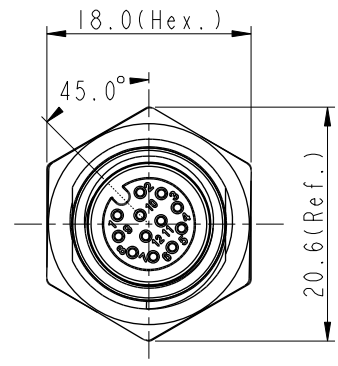
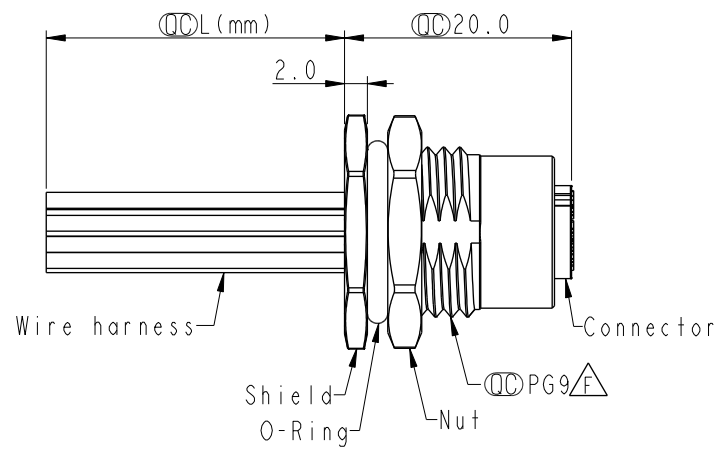
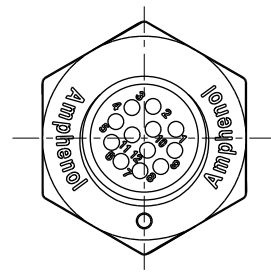


THIS DOCUMENT IS SUBJECT TO CHANGE WITHOUT NOTICE. IT IS CONFIDENTIAL AND A PROPERTY OF Amphenol LTW. DISCLOSURE TO THIRD PARTY HAS TO BE AUTHORIZED BY Amphenol LTW.

REV.	ECN NO.	DATE	SIGN	DESCRIPTION
G	C210239	2021/04/13	Ruru	$\triangle G$ X4
H	C221878	2022/12/19	Ruru	$\triangle H$ X1
I	C231033	2023/08/07	Ruru	$\triangle I$ X1



Recommended Panel Cut-Out

- Note: $\triangle C \triangle D \triangle F \triangle G$
- * RoHS Compliant
 - * ⌀ Important dimension
 - $\triangle H$ * Waterproof rate: IP68, unmated 1m/24h
 $\triangle I$ IP69K, mated
 - * Connector
 - Housing: Thermoplastic, Black
 - Pin: Copper alloy, Gold plated
 - O-Ring: Rubber, Green
 - * Shield: Metal
 - * Nut: Metal
 - * O-Ring: Rubber, Black
 - * Wire harness: UL1061
 - * For panel thickness max: 4.5mm
 - * O-Ring and nut are assembled on connectors
 - * Wire harness tolerance: 100mm: ± 10 mm
100mm < L \leq 300mm: ± 15 mm
300mm < L \leq 1000mm: ± 20 mm
1000mm < L \leq 1500mm: ± 50 mm

UNIT: mm	
TOLERANCE	
.X	± 0.25
.XX	± 0.1
.XXX	± 0.05
ANGLES	$\pm 1^\circ$

TITLE N SEN, M12 A, SCREW RECEPTACLE, F, F, SOLDER $\triangle G$			
SCALE 3:2	SIZE A4	SHEET 1 OF 2	
REV. 1	WC-REV. A.3	⌀ : Inspection item	

Amphenol LTW
安費諾亮泰企業股份有限公司

ITEM NO.	DRAWN BY Ruru	DATE 2019-09-19
DWG NO. $\triangle E$ M12A-XXPFFS-SF8BXX	CHECKED BY Rita	DATE 2019-09-19
CUSTOMER ALTW	APPROVED BY Max	DATE 2019-09-19

THIS DOCUMENT IS SUBJECT TO CHANGE WITHOUT NOTICE. IT IS CONFIDENTIAL AND A PROPERTY OF AMPHENOL LTW. DISCLOSURE TO THIRD PARTY HAS TO BE AUTHORIZED BY AMPHENOL LTW.

△ E △ F	12P	26	M12A-12PFFS-SF8BXX
	10P		M12A-10PFFS-SF8BXX
	8P	24	M12A-08PFFS-SF8BXX
	6P		M12A-06PFFS-SF8BXX
Contacts	AWG	Item No.	

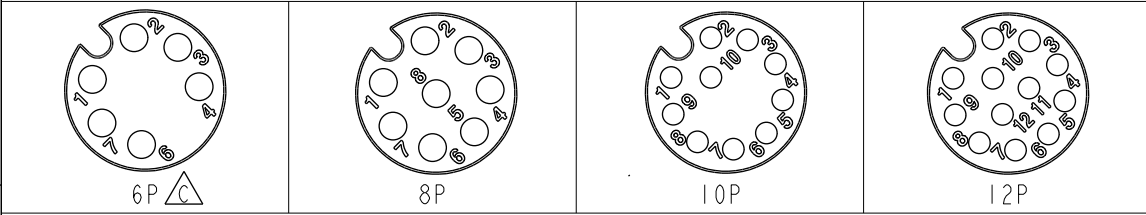
△
C
△
D
△
E
△
F
△
G
M12A-XXPFFS-SF8BXX

XX: No. Of Pin

10: 100mm
15: 150mm
20: 200mm
}
95: 950mm
Cable Pitch Unit=50mm

A0: 1000mm
}
A5: 1500mm
Cable Pitch Unit=100mm
Wire Length (L): 150~1500 mm

8	--	8	Red	紅	8	Red	紅	8	Red	紅	8	Red	紅
7	Blue	7	Blue	藍	7	Blue	藍	7	Blue	藍	7	Blue	藍
6	Pink	6	Pink	粉	6	Pink	粉	6	Pink	粉	6	Pink	粉
5	--	5	Gray	灰	5	Gray	灰	5	Gray	灰	5	Gray	灰
4	Yellow	4	Yellow	黃	4	Yellow	黃	4	Yellow	黃	4	Yellow	黃
3	Green	3	Green	綠	3	Green	綠	3	Green	綠	3	Green	綠
2	Brown	2	Brown	棕	2	Brown	棕	2	Brown	棕	2	Brown	棕
1	White	1	White	白	1	White	白	1	White	白	1	White	白
Pin #	Wire	Pin #	Wire		Pin #	Wire		Pin #	Wire		Pin #	Wire	



UNIT: mm		
TOLERANCE	.X ±0.25	
	.XX ±0.1	
	.XXX ±0.05	
ANGLES	±1°	

TITLE N SEN, M12 A, SCREW RECEPTACLE, F, F, SOLDER △ G			
SCALE 3:2	SIZE A4	SHEET 2 OF 2	
REV. 1	WC-REV. A.3	QC: Inspection item	

Amphenol LTW
安費諾亮泰企業股份有限公司

ITEM NO.	DRAWN BY Ruru	DATE 2019-09-19
DWG NO. △ M12A-XXPFFS-SF8BXX	CHECKED BY Rita	DATE 2019-09-19
CUSTOMER ALTW	APPROVED BY Max	DATE 2019-09-19