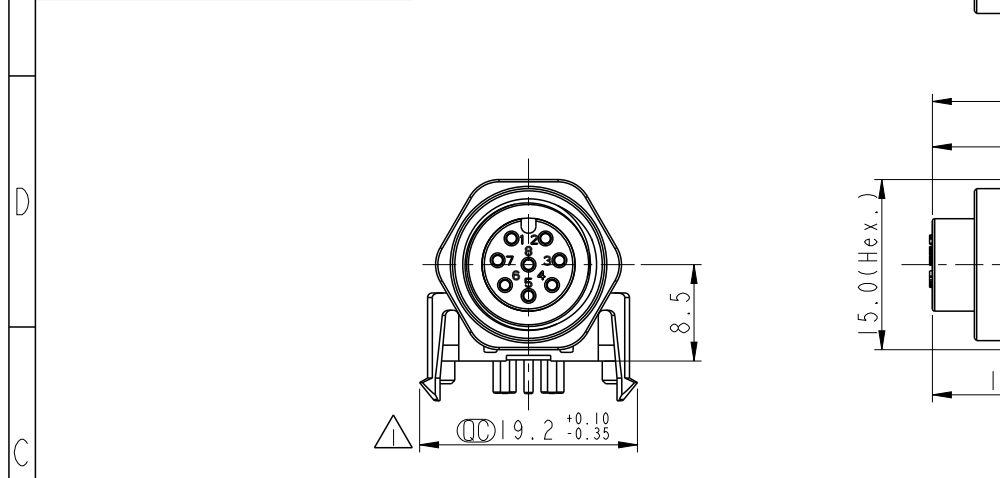
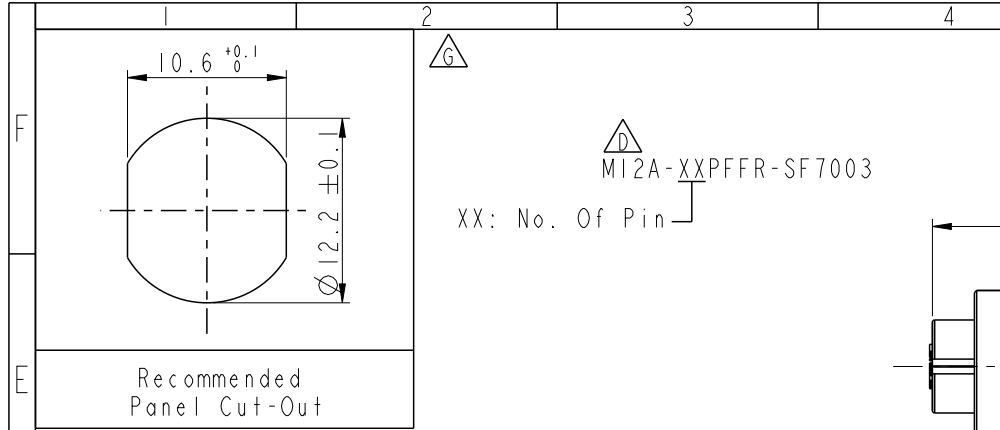


THIS DOCUMENT IS SUBJECT TO CHANGE WITHOUT NOTICE. IT IS CONFIDENTIAL AND A PROPERTY OF Amphenol LTW. DISCLOSURE TO THIRD PARTY HAS TO BE AUTHORIZED BY Amphenol LTW.

REV.	ECN NO.	DATE	SIGN	DESCRIPTION
G	C221694	2022/11/01	Arvin Chan	XI
H	C221973	2022/12/21	Ruru	XI
I	C231052	2023/08/11	Jack Liu	XI

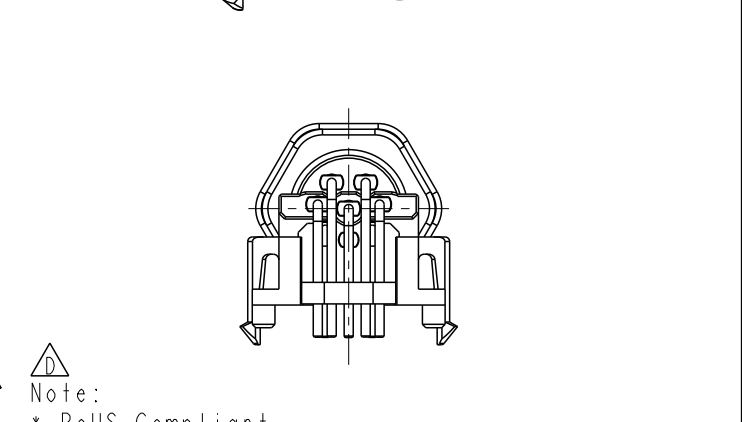
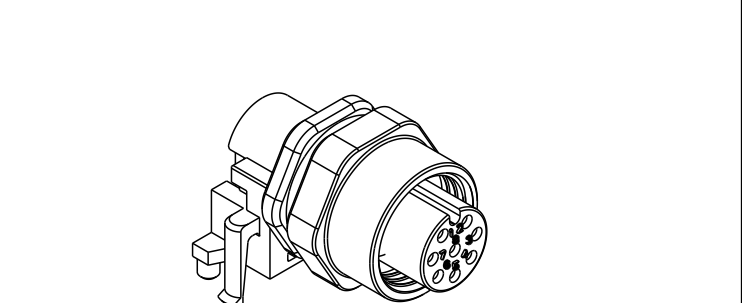
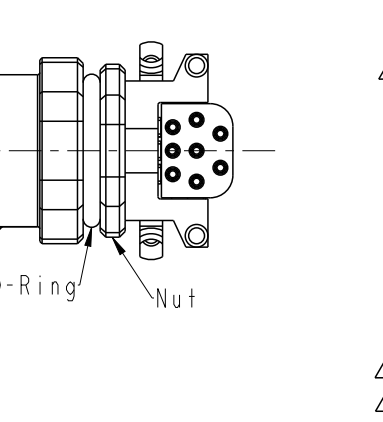
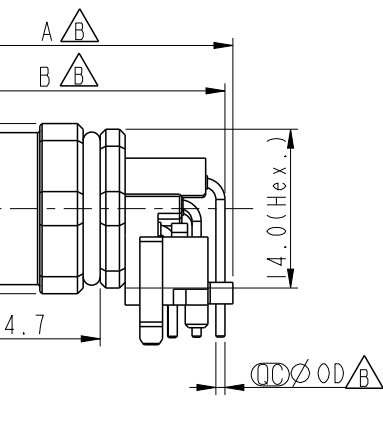
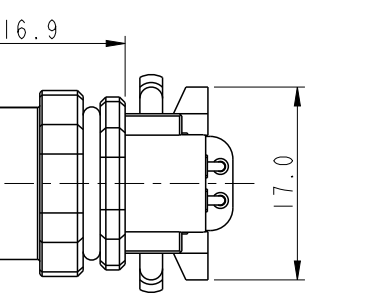


MI2A-03PFFR-SF7003	26.6	25.5	1.0
MI2A-04PFFR-SF7003	26.6	25.5	1.0
MI2A-05PFFR-SF7003	26.6	25.5	1.0
MI2A-08PFFR-SF7003	26.4	25.7	0.8
Item No.	A	B	OD

Pin Assignment Front View			
3P	4P	5P	8P

UNIT: mm		TITLE	
		N SEN, MI2 A, SCREW RECEPTACLE, F, F, PCB R	
TOLERANCE		SCALE	SIZE
.X	±0.25	3:2	A4
.XX	±0.1		
.XXX	±0.05	REV.	WC-REV.
ANGLES	±1°	1	A.3
		SHEET 1 OF 2	
		①: Inspection item	



Note:

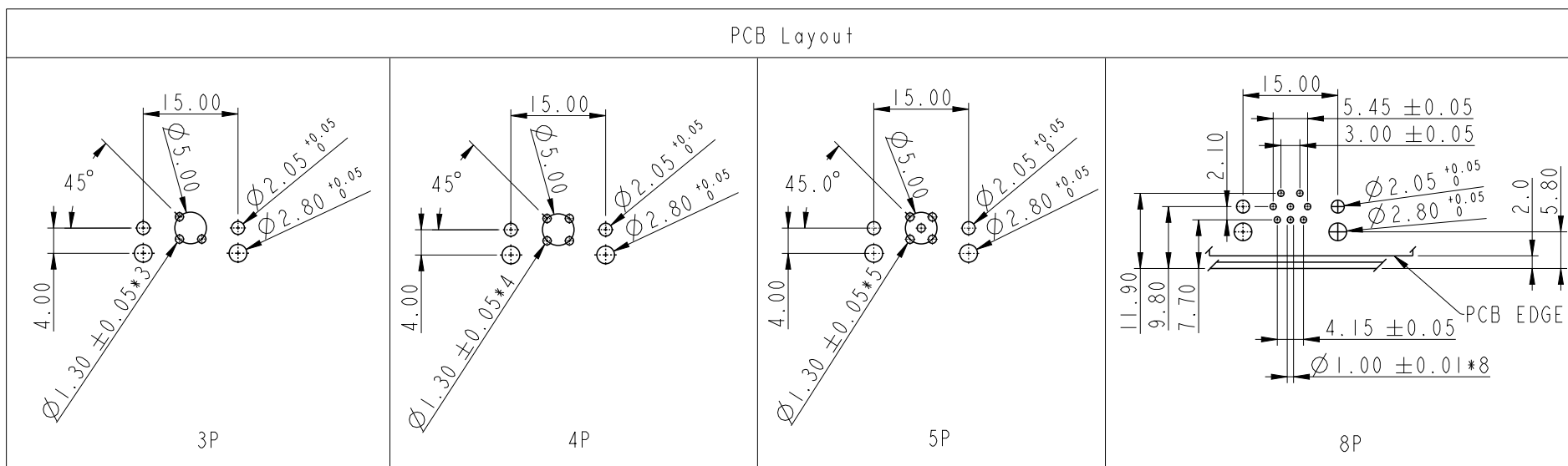
- \* RoHS Compliant
- \* Important dimension
- \* Waterproof rate: IP67, mated
- \* Connector
- Housing: Thermoplastic, Black
- Pin: Copper alloy, Gold plated
- O-Ring1: Rubber, Gray
- O-Ring2: Rubber, Gray
- Nut: Metal
- \* Nut: Metal
- \* O-Ring: Rubber, Gray
- \* For panel thickness max: 3.0mm
- \* For pcb thickness max: 1.6mm
- \* Connector nut is packed separately in pe bag

ITEM NO.		DRAWN BY		DATE	
		Su Nan		2019-03-21	
DWG NO.		CHECKED BY		DATE	
MI2A-XXPFFR-SF7003		Feng		2019-03-21	
CUSTOMER		APPROVED BY		DATE	
ALTW		Jerry		2019-03-21	

**Amphenol LTW**  
安費諾亮泰企業股份有限公司

THIS DOCUMENT IS SUBJECT TO CHANGE WITHOUT NOTICE. IT IS CONFIDENTIAL AND A PROPERTY OF Amphenol LTW. DISCLOSURE TO THIRD PARTY HAS TO BE AUTHORIZED BY Amphenol LTW.

PCB Layout



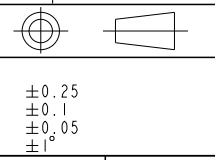
3P

4P

5P

8P

UNIT: mm		
TOLERANCE	.X	±0.25
	.XX	±0.1
	.XXX	±0.05
ANGLES		±1°



TITLE N SEN, M12 A, SCREW RECEPTACLE, F, F, PCB R			
SCALE	SIZE	SHEET	OF
3:2	A4	2	2
REV.	WC-REV.	QC: Inspection item	
1	A.3		

**Amphenol LTW**  
安費諾亮泰企業股份有限公司

ITEM NO	DWG NO	CUSTOMER
	M12A-XXPFFR-SF7003	ALTW

DRAWN BY	CHECKED BY	APPROVED BY
Su Nan	Feng	Jerry

DATE	DATE	DATE
2019-03-21	2019-03-21	2019-03-21