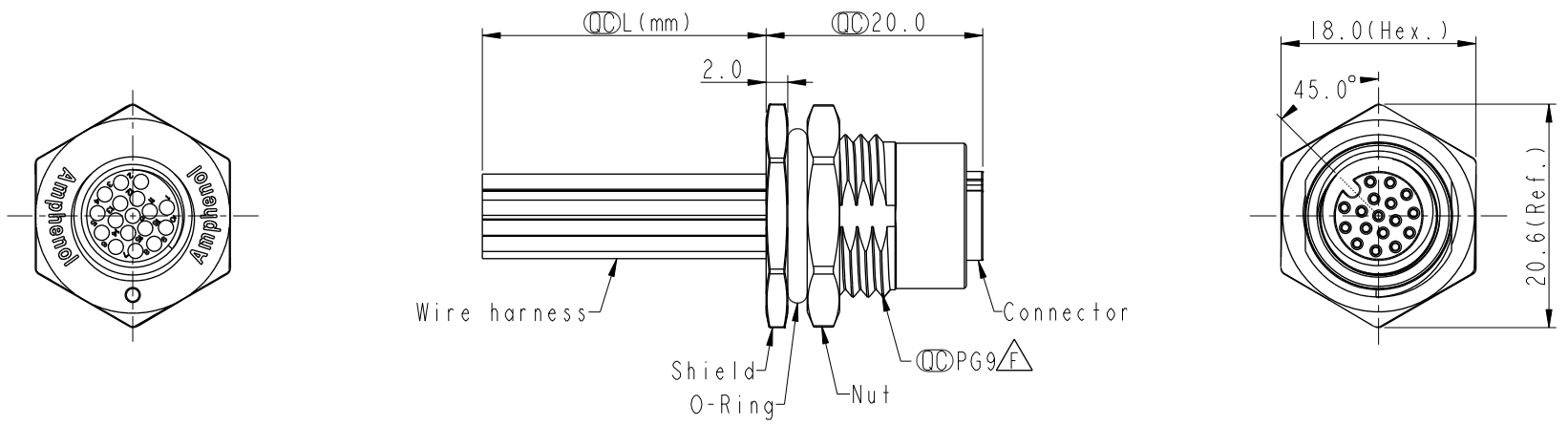
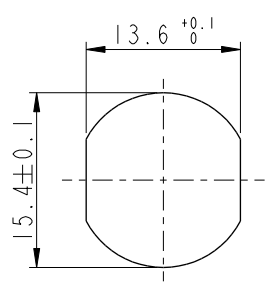


THIS DOCUMENT IS SUBJECT TO CHANGE WITHOUT NOTICE. IT IS CONFIDENTIAL AND A PROPERTY OF Amphenol LTW. DISCLOSURE TO THIRD PARTY HAS TO BE AUTHORIZED BY Amphenol LTW.

REV.	ECN NO.	DATE	SIGN	DESCRIPTION
G	C210239	2021/04/06	Ruru	$\triangle G$ X4
H	C221878	2022/12/19	Ruru	$\triangle H$ X1
I	C231031	2023/08/04	Ruru	$\triangle I$ X1



- Note: $\triangle C \triangle D \triangle F \triangle G$
- * RoHS Compliant
 - * $\text{\textcircled{L}}$ Important dimension
 - $\triangle H$ * Waterproof rate: IP68, unmated 1m/24h
 $\triangle I$ IP69K, mated
 - * Connector
 - Housing: Thermoplastic, Black
 - Pin: Copper alloy, Gold plated
 - O-Ring: Rubber, Green
 - * Shield: Metal
 - * Nut: Metal
 - * O-Ring: Rubber, Black
 - * Wire harness: UL1061
 - * For panel thickness max: 4.5mm
 - * O-Ring and nut are assembled on connectors
 - * Wire harness tolerance: 100mm: ± 10 mm
 100mm < L \leq 300mm: ± 15 mm
 300mm < L \leq 1000mm: ± 20 mm
 1000mm < L \leq 1500mm: ± 50 mm



Recommended Panel Cut-Out

UNIT: mm	$\text{\textcircled{L}}$	$\text{\textcircled{L}}$
TOLERANCE		
.X	± 0.25	
.XX	± 0.1	
.XXX	± 0.05	
ANGLES	$\pm 1^\circ$	

TITLE N SEN, M12 A, SCREW RECEPTACLE, F, F, FI/PANEL CRIMP $\triangle G$		
SCALE 3:2	SIZE A4	SHEET 1 OF 2
REV. 1	WC-REV. A.3	$\text{\textcircled{L}}$: Inspection item

Amphenol LTW
安費諾亮泰企業股份有限公司

ITEM NO	DRAWN BY Ruru	DATE 2019-09-19
DWG NO $\triangle G$ M12A-XXPFFC-SF8BXX	CHECKED BY Rita	DATE 2019-09-19
CUSTOMER ALTW	APPROVED BY Max	DATE 2019-09-19

THIS DOCUMENT IS SUBJECT TO CHANGE WITHOUT NOTICE. IT IS CONFIDENTIAL AND A PROPERTY OF Amphenol LTW. DISCLOSURE TO THIRD PARTY HAS TO BE AUTHORIZED BY Amphenol LTW.

7		8	
17P	26	MI2A-17PFFC-SF8BXX	
5P	22	MI2A-05PFFC-SF8BXX	
4P		MI2A-04PFFC-SF8BXX	
3P		MI2A-03PFFC-SF8BXX	
Contacts	AWG	Item No.	



MI2A-XXPFFC-SF8BXX

XX: No. Of Pin

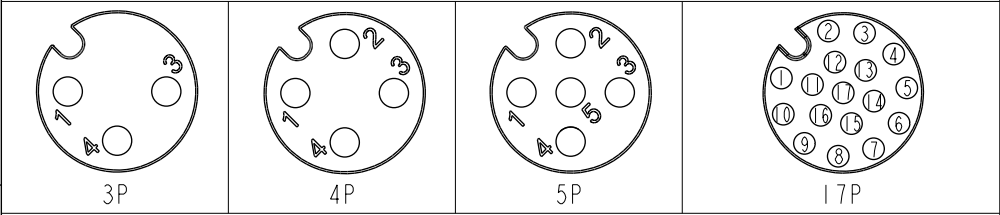
- 10: 100mm
- 15: 150mm
- 20: 200mm
- 95: 950mm
- Cable Pitch Unit=50mm

- A0: 1000mm
- A5: 1500mm
- Cable Pitch Unit=100mm
- Wire Length (L): 150~1500 mm



5	--	5	--	5	Gray	灰	17	White/Gray	白/灰
4	Black	4	Black	4	Black	黑	16	Yellow/Brown	黃/棕
3	Blue	3	Blue	3	Blue	藍	15	White/Yellow	白/黃
2	--	2	White	2	White	白	14	Brown/Green	棕/綠
1	Brown	1	Brown	1	Brown	棕	13	White/Green	白/綠
							12	Red/Blue	紅/藍
							11	Gray/Pink	灰/粉
							10	Violet	紫
							9	Red	紅
							8	Gray	灰
							7	Black	黑
							6	Yellow	黃
							5	Pink	粉
							4	Green	綠
							3	White	白
							2	Blue	藍
							1	Brown	棕

Pin Out



Pin Assignments Front View

UNIT: mm		TITLE N SEN, MI2 A, SCREW RECEPTACLE, F, F, FI/PANEL CRIMP
TOLERANCE .X ±0.25 .XX ±0.1 .XXX ±0.05 ANGLES ±1°	SCALE 3:2 SIZE A4 SHEET 2 OF 2	REV. 1 WC-REV. A.3 QC: Inspection item

Amphenol LTW
安費諾亮泰企業股份有限公司

ITEM NO	DRAWN BY	DATE
DWG NO MI2A-XXPFFC-SF8BXX	Ruru	2019-09-19
CUSTOMER	CHECKED BY	DATE
ALTW	Rita	2019-09-19
	APPROVED BY	DATE
	Max	2019-09-19