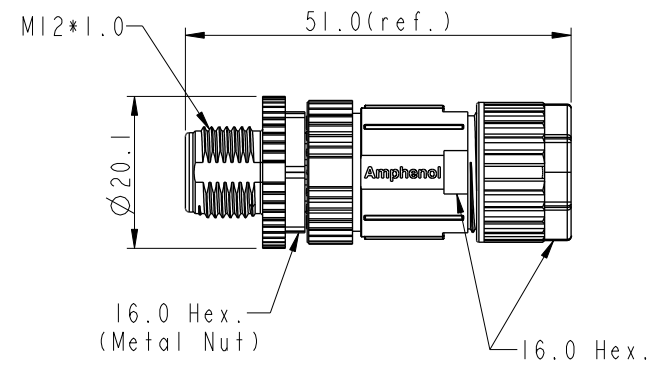
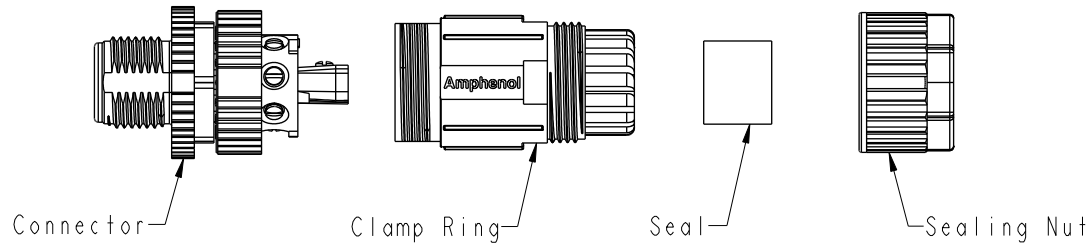


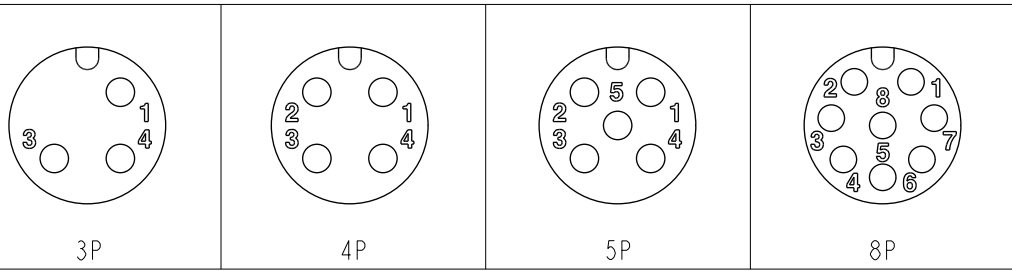
THIS DOCUMENT IS SUBJECT TO CHANGE WITHOUT NOTICE. IT IS CONFIDENTIAL AND A PROPERTY OF Amphenol LTW. DISCLOSURE TO THIRD PARTY HAS TO BE AUTHORIZED BY Amphenol LTW.

REV.	ECN NO.	DATE	SIGN	DESCRIPTION
B	LEN1790116~19	2017/08/31	Frank Deng	Update Note
C	C210561	2021/04/09	Vicky	$\triangle C$ X4
D	C221877	2022/12/09	Ruru	$\triangle D$ XI



$\triangle C$  M12A-XXBMMB-SL7001  
 XX: No. Of Pin

- $\triangle B \triangle C$   
 Note:
- \* RoHS Compliant
  - \*  $\text{Ⓞ}$  Important Dimension
  - $\triangle D$  \* Waterproof rate: IP67, mated
  - \* Connector
    - Housing: Thermoplastic, Black
    - Pin: Copper alloy, Gold plated
    - Extension Nut: Thermoplastic, Black
    - Nut: Metal
    - O-Ring: Rubber, Gray
  - \* Clamp Ring: Thermoplastic, Black
  - \* Sealing Nut: Thermoplastic, Black
  - \* Seal: Rubber, Gray, OD:  $\varnothing 4.0\text{mm} \sim \varnothing 8.0\text{mm}$
  - \* One set unassembled in one pe bag



Pin Assignments Front View

UNIT: mm $\text{⌀}$ $\text{⌄}$ TOLERANCE .X $\pm 0.25$ .XX $\pm 0.1$ .XXX $\pm 0.05$ ANGLES $\pm 1^\circ$	TITLE N SEN, M12 A, SCREW CABLE W/O SR, M, M, FI SCREW IN $\triangle C$	<b>Amphenol LTW</b> 安費諾亮泰企業股份有限公司		ITEM NO	DRAWN BY	DATE		
		SCALE	SIZE	SHEET	OF	DWG NO	CHECKED BY	DATE
		REV.	WC-REV.	$\text{Ⓞ}$ : Inspection item		CUSTOMER	APPROVED BY	DATE
				ALTW	Kevin Hu	2017-08-31		