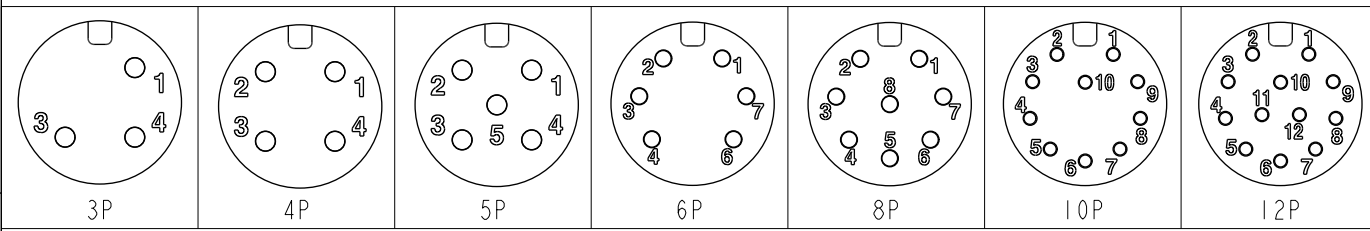
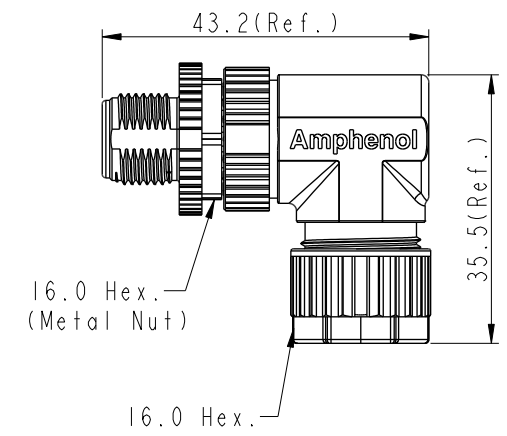
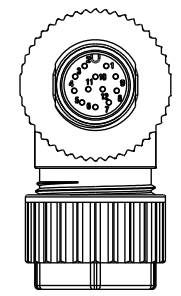
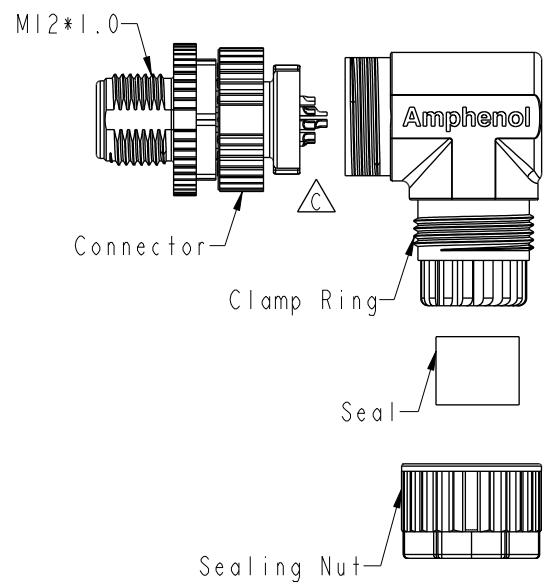


THIS DOCUMENT IS SUBJECT TO CHANGE WITHOUT NOTICE. IT IS CONFIDENTIAL AND A PROPERTY OF Amphenol LTW. DISCLOSURE TO THIRD PARTY HAS TO BE AUTHORIZED BY Amphenol LTW.

REV.	ECN NO.	DATE	SIGN	DESCRIPTION
D	C210020	2021/01/07	Vicky	$\triangle D$ X1
E	C210561	2021/04/09	Vicky	$\triangle E$ X2
F	C221877	2022/12/09	Ruru	$\triangle F$ X1

$\triangle B$  M12A-XXBMM-A-SR7001  
XX: No. Of Pin



Pin Assignments Front View

- $\triangle B \triangle E$   
Note:
- \* RoHS Compliant
  - \*  $\text{⌀}$  Important Dimension
  - $\triangle F$  \* Waterproof rate: IP67, mated
  - \* Connector
  - Housing: Thermoplastic, Black
  - Pin: Copper alloy, Gold plated
  - Extension Nut: Thermoplastic, Black
  - $\triangle D$  Nut: Metal
  - O-Ring: Rubber, Gray
  - \* Clamp Ring: Thermoplastic, Black
  - \* Sealing Nut: Thermoplastic, Black
  - \* Seal: Rubber, Gray, OD:  $\text{⌀}4.0\text{mm}-\text{⌀}7.0\text{mm}$
  - \* One set unassembled in one pe bag

UNIT: mm	$\text{⌀}$	$\text{⌀}$	TITLE N SEN, M12 A, SCREW CABLE W/O SR, M, M, FI SOLDER	$\triangle E$
TOLERANCE	.X $\pm 0.25$	.XX $\pm 0.1$	SCALE 1:1	SIZE A4
.XXX $\pm 0.05$	ANGLES $\pm 1^\circ$	REV. F	WC-REV. .0	SHEET 1 OF 1
			$\text{⌀}$ : Inspection item	

**Amphenol LTW**  
安費諾亮泰企業股份有限公司

ITEM NO.	DRAWN BY Lu Di	DATE 2015-05-04
DWG NO. M12A-XXBMM-A-SR7001	CHECKED BY Joyy	DATE 2015-05-04
CUSTOMER ALTW	APPROVED BY Jimmy	DATE 2015-05-04