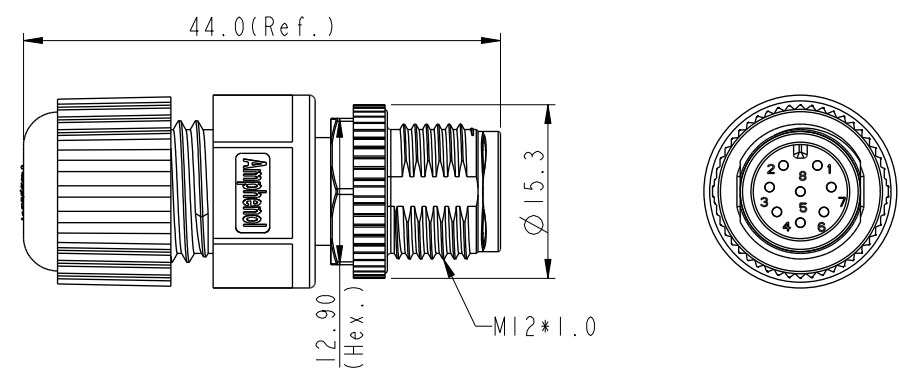
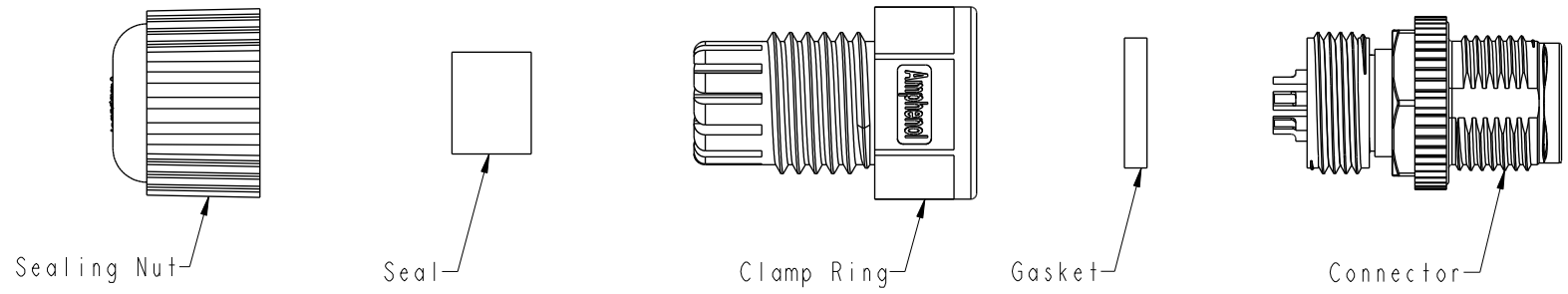


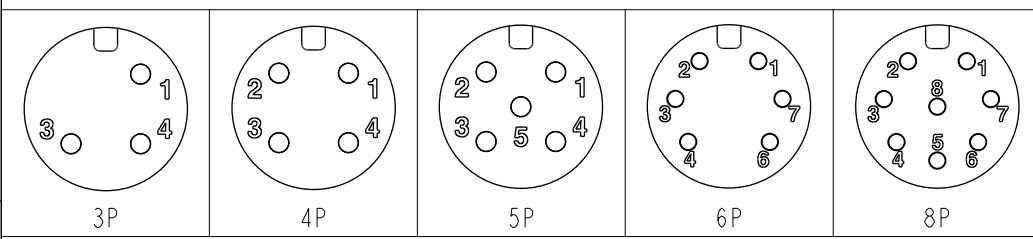
THIS DOCUMENT IS SUBJECT TO CHANGE WITHOUT NOTICE. IT IS CONFIDENTIAL AND A PROPERTY OF Amphenol LTW. DISCLOSURE TO THIRD PARTY HAS TO BE AUTHORIZED BY Amphenol LTW.

REV.	ECN NO.	DATE	SIGN	DESCRIPTION
B	C210561	2021/04/09	Vicky	$\triangle B$ X4
C	C221953	2022/12/15	Ruru	$\triangle C$ XI



$\triangle B$ M12A-XXBMMMA-SL8001
 XX: No. Of Pin

- $\triangle B$ Note:
- * RoHS Compliant
 - * \odot Important Dimension
 - $\triangle C$ * Waterproof rate: IP68, mated 1m/24h
 - * Connector
 - Housing: Thermoplastic, Black
 - Pin: Copper alloy, Gold plated
 - Extension Nut: Thermoplastic, Black
 - Nut: Metal
 - * Gasket: Rubber, Gray
 - * Clamp Ring: Thermoplastic, Black
 - * Sealing Nut: Thermoplastic, Black
 - * Seal: Rubber, Gray, OD: $\phi 4.5\text{mm} \sim \phi 6.5\text{mm}$
 - * One set unassembled in one pe bag



Pin Assignments Front View

UNIT: mm	\odot	∇	TITLE N SEN, M12 A, SCREW CABLE W/O SR, M, M, FI SOLDER	$\triangle B$
TOLERANCE .X ± 0.25 .XX ± 0.1 .XXX ± 0.05 ANGLES $\pm 1^\circ$	$\triangle B$	SCALE 1:1	SIZE A4	SHEET 1 OF 1
		REV. C	WC-REV. .0	\odot : Inspection item

Amphenol LTW
 安費諾亮泰企業股份有限公司

ITEM NO	DRAWN BY JC Chen	DATE 2019/08/27
DWG NO M12A-XXBMMMA-SL8001	CHECKED BY Li Feng	DATE 2019/08/27
CUSTOMER ALTW	APPROVED BY Jerry	DATE 2019/08/27