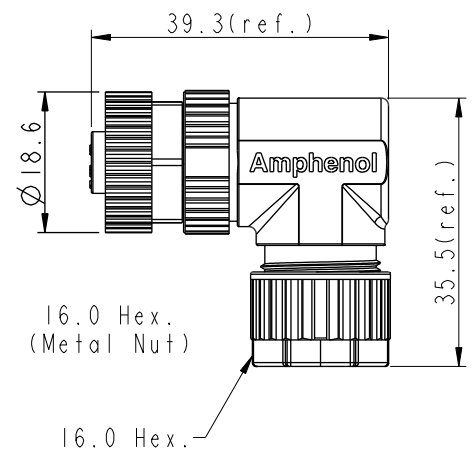
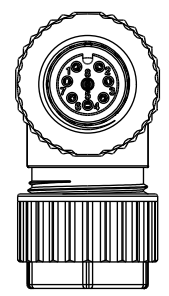
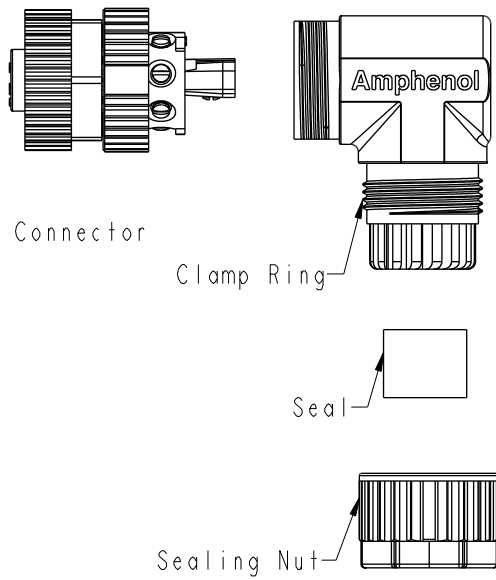


THIS DOCUMENT IS SUBJECT TO CHANGE WITHOUT NOTICE. IT IS CONFIDENTIAL AND A PROPERTY OF Amphenol LTW. DISCLOSURE TO THIRD PARTY HAS TO BE AUTHORIZED BY Amphenol LTW.

REV.	ECN NO.	DATE	SIGN	DESCRIPTION
B	LEN1790112~15	2017/08/31	Frank Deng	Update Note
C	C210561	2021/04/09	Vicky	$\triangle C$ X4
D	C221877	2022/12/09	Ruru	$\triangle D$ XI

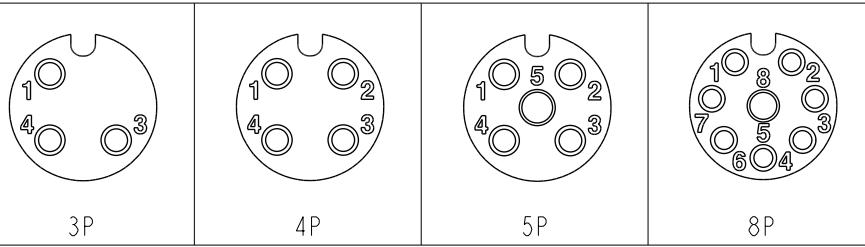


$\triangle C$
M12A-XXBFFB-SR7001

XX: No. Of Pin

$\triangle B$ $\triangle C$
Note:

- * RoHS Compliant
- * $\text{\textcircled{C}}$ Important Dimension
- $\triangle D$ * Waterproof rate: IP67, mated
- * Connector
- Housing: Thermoplastic, Black
- Pin: Copper alloy, Gold plated
- Extension Nut: Thermoplastic, Black
- Nut: Metal
- O-Ring: Rubber, Gray
- * Clamp Ring: Thermoplastic, Black
- * Sealing Nut: Thermoplastic, Black
- * Seal: Rubber, Gray, OD: \varnothing 4.0mm~ \varnothing 7.0mm
- * One set unassembled in one pe bag



Pin Assignments Front View

UNIT: mm	$\text{\textcircled{C}}$	$\text{\textcircled{C}}$	TITLE N SEN, M12 A, SCREW CABLE W/O SR, F, F, FI SCREW IN
TOLERANCE .X ± 0.25 .XX ± 0.1 .XXX ± 0.05 ANGLES $\pm 1^\circ$	$\text{\textcircled{C}}$	SCALE 1:1	SIZE A4
		REV. D	WC-REV. A.2
			SHEET 1 OF 1
			$\text{\textcircled{C}}$: Inspection item

Amphenol LTW
安費諾亮泰企業股份有限公司

ITEM NO.	DRAWN BY Frank Deng	DATE 2017-08-31
DWG NO. M12A-XXBFFB-SR7001	CHECKED BY Fisher Wang	DATE 2017-08-31
CUSTOMER ALTW	APPROVED BY Kevin Hu	DATE 2017-08-31