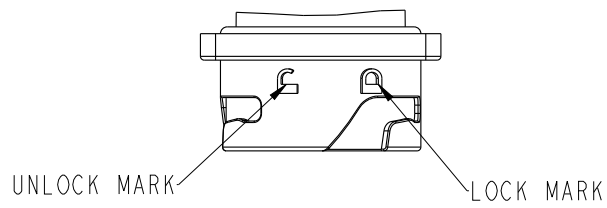
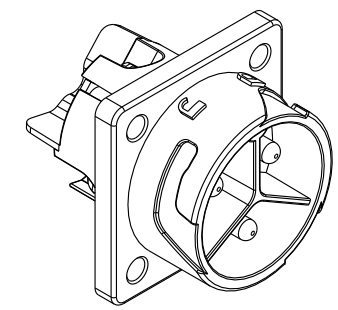
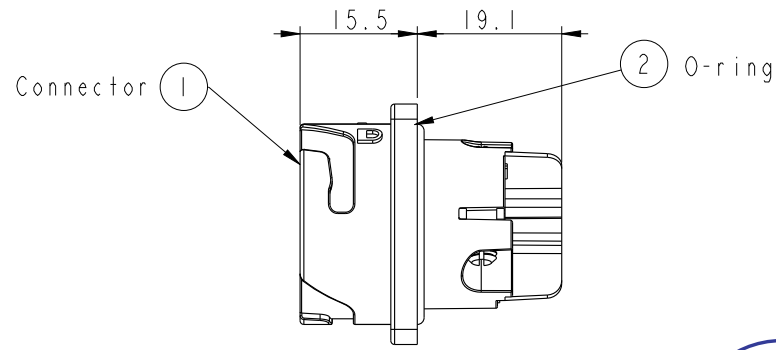
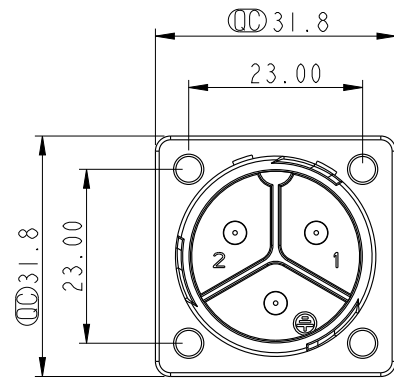


THIS DOCUMENT IS SUBJECT TO CHANGE WITHOUT NOTICE. IT IS CONFIDENTIAL AND A PROPERTY OF LTW. DISCLOSURE TO THIRD PARTY HAS TO BE AUTHORIZED BY LTW.

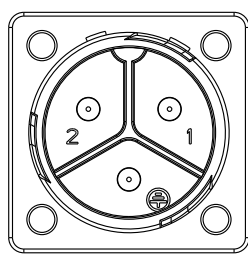
REV.	ECN NO.	DATE	SIGN	DESCRIPTION
A		2011-05-12	Doreen	SAM-PWR-PI012 TO NEW ITEM



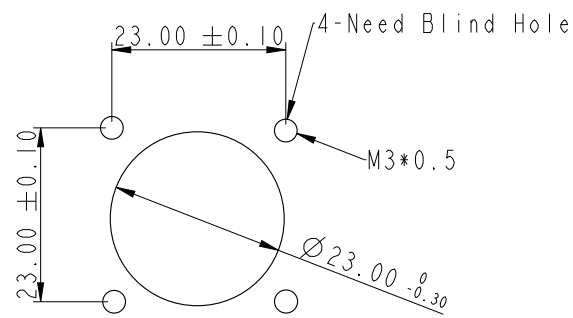
ALTW
CONFIDENTIAL
 2011-05-12
R&D DEPT.



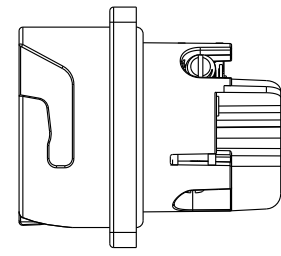
ALTW DCC.
 2011.07.28
 ISSUED



Conn.
Pin Assignments
Front View



Recommended
Panel Cut-Out



- Note:
- * (QC)important Dimension To Check.
 - * Waterproof Rate : IP67
 - * Connector: PPE , Black
 - * Male Pin: Copper Alloy, Tin Plated
 - * O-Ring: Silicone , Gary
 - * Current Rating: 30A(Max.)
 - * Rated Voltage: 300V
 - * Recommended Gauge: 8awg~14awg
 - * For Panel Thickness Max: 4mm

UNIT: mm TOLERANCE .X ±0.25 .XX ±0.1 .XXX ±0.05 ANGLES ±1°	TITLE POWER CONNECTOR FOR PANEL TYPE		Amphenol LTW 安費諾亮泰企業股份有限公司		ITEM NO. LTWPWL-03PMMB-TS7001	DRAWN BY Doreen	DATE 2011-05-12
	SCALE 1:1	SIZE A4			DWG NO. LTWPWL-03PMMB-TS7001	CHECKED BY Winnie	DATE 2011-05-12
	REV. A	WC-REV. A.2	SHEET 1 OF 1	CUSTOMER	APPROVED BY Kevin	DATE 2011-05-12	