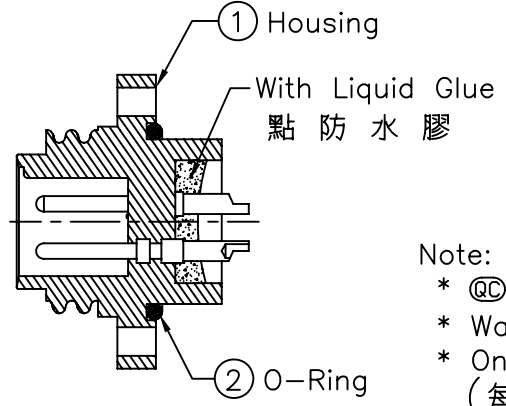
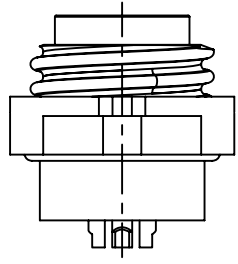
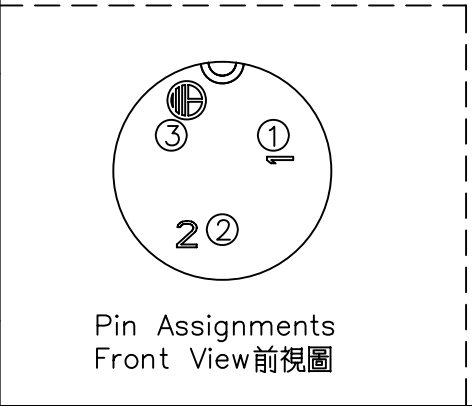
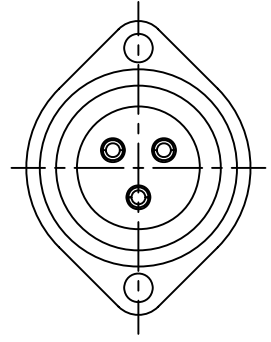
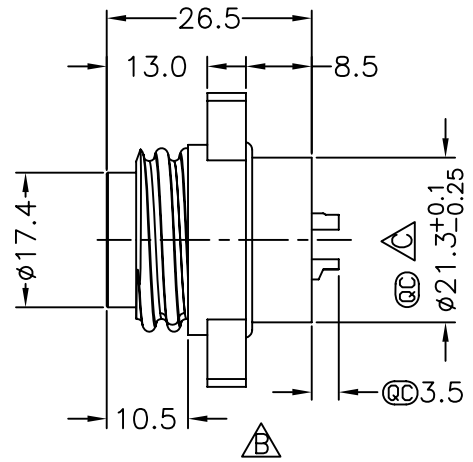
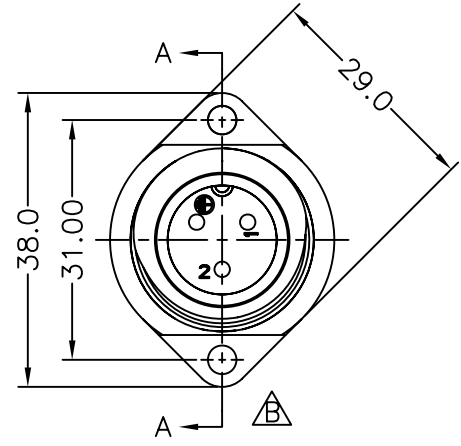
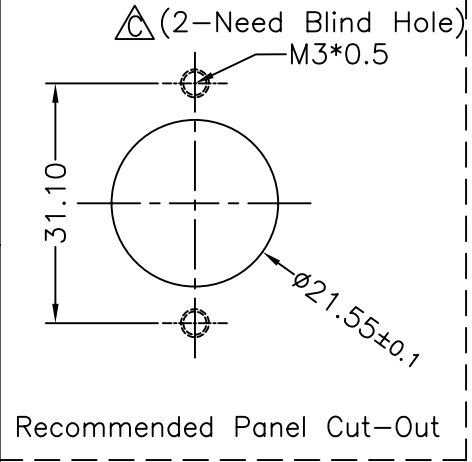


REV	ECN NO.	DATE	SIGN	DESCRIPTION
B	LEN-750082	2006/11/23	Hu Min	Change Size
C	LEN1190166	2011/08/26	Tony	Modify Dimension & Note

THIS DOCUMENT IS SUBJECT TO CHANGE WITHOUT NOTICE. IT IS CONFIDENTIAL AND A PROPERTY OF Amphenol LTW. DISCLOSURE TO THIRD PARTY HAS TO BE AUTHORIZED BY Amphenol LTW.



Section A-A



- Note:
- * @@Important Dimension.
 - * Waterproof Rate : IP67
 - * One Set in One LTW Sealed Bag (每一組裝, 放置於一個 LTW封口袋)
 - * Housing:Nylon+GF,Black.
 - * Male pin:Copper Alloy,Gold Plated
 - * O-Ring:Silicone 60,Gray.
 - * Liquid Glue:Clear.

UNIT:mm	
TOLERANCE	
.X	±0.25
.XX	±0.1
.XXX	±0.05
ANGLES	±1°

TITLE	
Power,Panel Screw 3Pin M Conn M Pin	
SCALE	Free
SHEET	1 OF 1
REV.	C
SIZE	A4
@@ :Inspection Item	

Amphenol LTW
安費諾亮泰企業股份有限公司

ITEM NO	LTWPWF-03PMMS-SC7001
DWG NO	LTWPWF-03PMMS-SC7001
CUSTOMER	ALTW

DRAWN BY	Tony
CHECKED BY	Chang
APPROVED BY	LUKE

DATE	2011/08/26
DATE	2011/08/30
DATE	2011/08/30