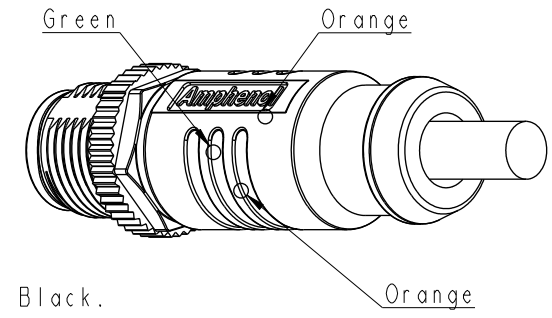
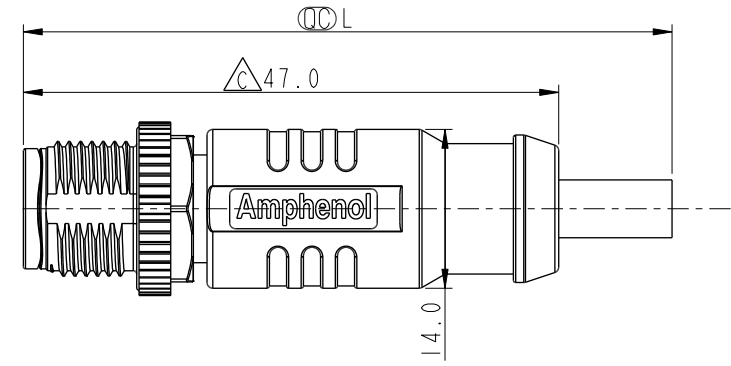
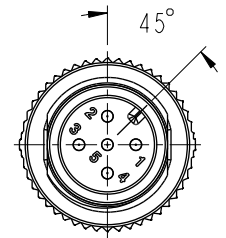
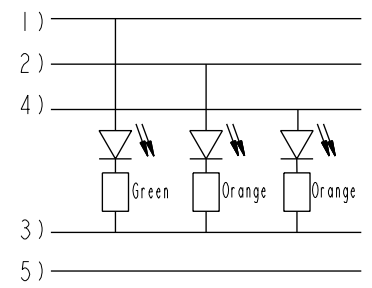


THIS DOCUMENT IS SUBJECT TO CHANGE WITHOUT NOTICE. IT IS CONFIDENTIAL AND A PROPERTY OF Amphenol LTW. DISCLOSURE TO THIRD PARTY HAS TO BE AUTHORIZED BY Amphenol LTW.

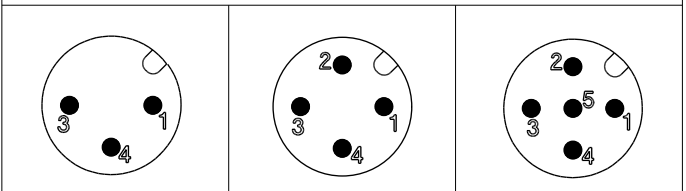
REV.	ECN NO.	DATE	SIGN	DESCRIPTION
C	C211248	2021/08/17	Sam Ho	△C XI
D	C211529	2021/10/07	Sam Ho	△D XI
E	C221890	2022/12/28	Vicky	△E X2

5 Pin	PUR	4.4	22	LM12A-05BMMM-SL8BXX
4 Pin		4.0		LM12A-04BMMM-SL8BXX
3 Pin		3.8		LM12A-03BMMM-SL8BXX
Contacts	Cable Jacket	Cable OD	AWG	Item No.



- △D Note:
- * ∅ Important dimension
 - △E * Waterproof rate: IP68, mated 1m/24h
IP69K, mated
 - * Connector
Housing: Thermoplastic, Black
Pin: Copper alloy, Gold plated
 - △B Nut: Metal
Outer Mold: Thermoplastic, Transparent Black.
 - * Cable: UL20549, PUR Jacket, Black
 - * Cable Length Tolerance:

5	-	-	5	-	-	5	Gray	灰
4	Black	黑	4	Black	黑	4	Black	黑
3	Blue	藍	3	Blue	藍	3	Blue	藍
2	-	-	2	White	白	2	White	白
1	Brown	棕	1	Brown	棕	1	Brown	棕
Pin #	Wire		Pin #	Wire		Pin #	Wire	



- 1M: +50/-0 mm
- 1M < L ≤ 3M: +100/-0 mm
- 3M < L ≤ 5M: +150/-0 mm
- 5M < L ≤ 10M: ±100 mm
- 10M < L ≤ 20M: ±200 mm
- 20M < L ≤ 30M: ±300 mm
- 30M < L ≤ 99M: ±500 mm

LM12A- XX BMMM-SL8B XX

No. Of Pin

XX: L=0~99Meters
01: L=1Meters
02: L=2Meters
:
99: L=99Meters

UNIT:mm		TITLE	N SEN, M12 A-LED, SCREW CABLE W/O SR, M, M, MOLDING	
TOLERANCE	±0.50mm	SCALE		3:2
		SIZE		A4
		REV.	E	
		WC-REV.		
		SHEET	1 OF 1	
		∅: Inspection item		

Amphenol LTW
安費諾亮泰企業股份有限公司

ITEM NO	DRAWN BY	DATE
	Sam Ho	2021-03-03
DWG NO	CHECKED BY	DATE
LM12A-XXBMMM-SL8BXX	Fred Lee	2021-03-03
CUSTOMER	APPROVED BY	DATE
ALTW	Fred Lee	2021-03-03