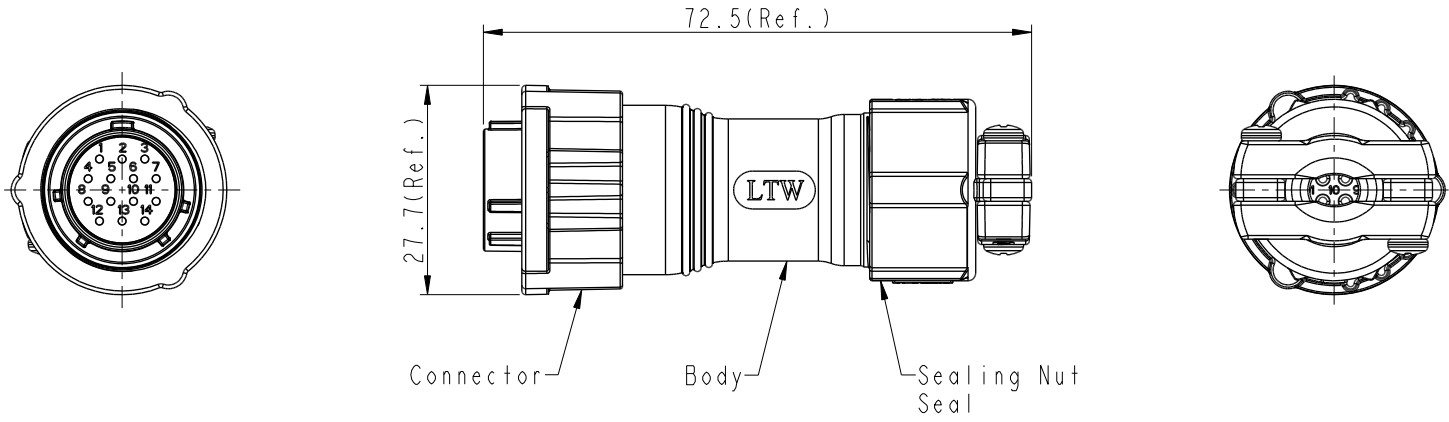


THIS DOCUMENT IS SUBJECT TO CHANGE WITHOUT NOTICE. IT IS CONFIDENTIAL AND A PROPERTY OF Amphenol LTW. DISCLOSURE TO THIRD PARTY HAS TO BE AUTHORIZED BY Amphenol LTW.

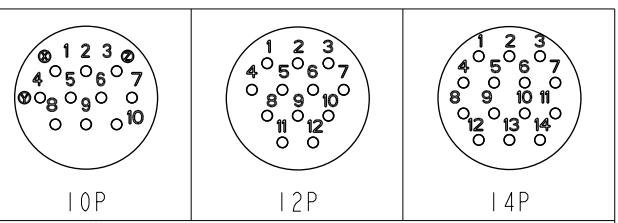
REV.	ECN NO.	DATE	SIGN	DESCRIPTION
B	LE3-060091	2010/05/26	Jessie	Modify Note and Shell Plated
C	C210669	2021/04/28	Vicky	$\triangle C$ X5
D	C221869	2022/12/05	Vicky	$\triangle D$ XI



$\triangle C$  LD20-XXBFMA-SL8001

XX: No. Of Pin

- $\triangle C$  Note:
- \* RoHS Compliant
  - \*  $\text{\textcircled{C}}$  Important dimension
  - $\triangle B \triangle D$  \* Waterproof rate: IP68, mated 1m/24h
  - \* Connector
    - Housing: Metal
    - Pin: Copper alloy, Silver plated
    - Gasket: Rubber, Gray
    - Nut: Metal
  - \* Body: Metal
  - \* Sealing Nut: Metal
  - \* Seal1: Rubber, Gray, OD  $\varnothing$ 5.5mm~7.0mm
  - \* Seal2: Rubber, Gray, OD  $\varnothing$ 7.0mm~9.3mm
  - \* Seal3: Rubber, Gray, OD  $\varnothing$ 9.3mm~12.5mm
  - \* One set assembled in one pe bag



$\triangle C$  Pin Assignments Front View

UNIT:mm	$\text{\textcircled{C}}$	$\text{\textcircled{C}}$	TITLE
TOLERANCE	.X $\pm 0.25$	.XX $\pm 0.1$	O SEN, M20 48H,5A
.XXX $\pm 0.05$	ANGLES $\pm 1^\circ$	SCALE 1:1	CABLE W/O SR, F, M, FI SOLDER
		SIZE A4	
		SHEET 1 OF 1	
		REV. D	
		WC-REV. A.2	
		$\text{\textcircled{C}}$ : Inspection item	

**Amphenol LTW**  
安費諾亮泰企業股份有限公司

ITEM NO	DRAWN BY	DATE
	Jessie	2010-05-26
DWG NO	CHECKED BY	DATE
$\triangle C$ LD20-XXBFMA-SL8001	Jimmy	2010-05-27
CUSTOMER	APPROVED BY	DATE
ALTW	Win	2010-06-01