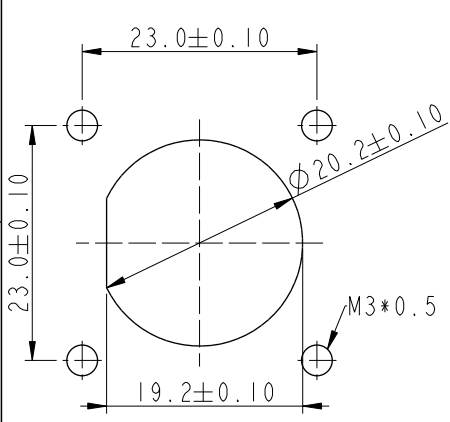
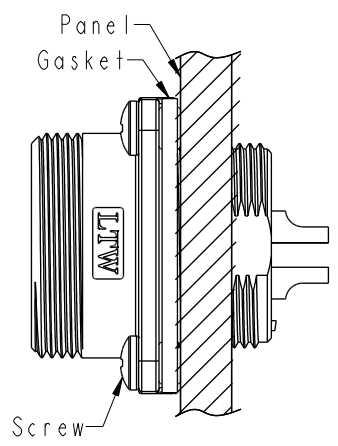


THIS DOCUMENT IS SUBJECT TO CHANGE WITHOUT NOTICE. IT IS CONFIDENTIAL AND A PROPERTY OF Amphenol LTW. DISCLOSURE TO THIRD PARTY HAS TO BE AUTHORIZED BY Amphenol LTW.

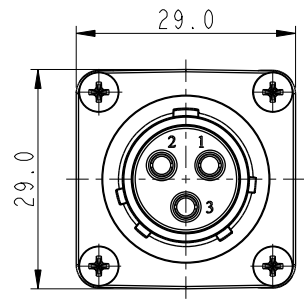
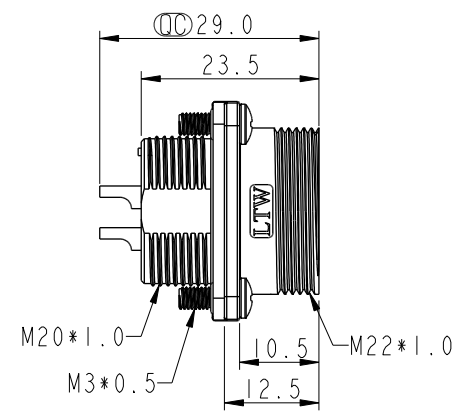
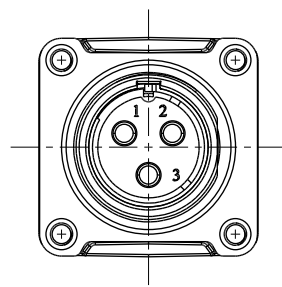
REV.	ECN NO.	DATE	SIGN	DESCRIPTION
C	C210669	2021/04/30	Vicky	△C X5
D	C221869	2022/12/05	Vicky	△D XI
E	C230668	2023/05/22	Vicky	△E XI



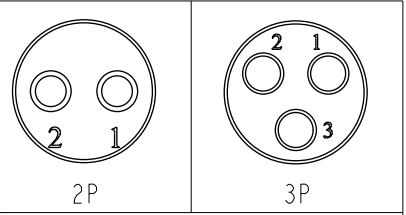
Recommend Panel Cut-Out



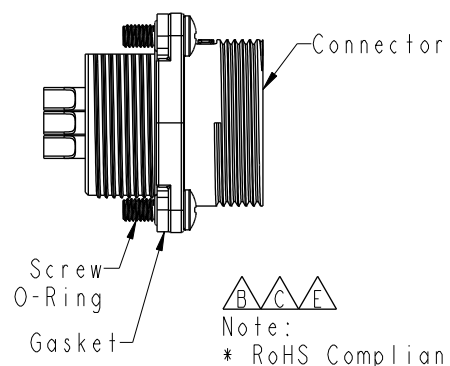
Assembly Instruction



△ LC20-XXPMFS-SW8001
 XX: No. Of Pin



△ Pin Assignments Front View



△B △C △E

Note:

- * RoHS Compliant
- * ∅ Important dimension
- △ * Waterproof rate: IP68, unmated 1m/24h
- * Connector
- Housing: Thermoplastic, Black
- Pin: Copper alloy, Silver plated
- Gasket: Rubber, Gray
- Shield: Metal
- * Gasket: Rubber, Gray
- * For panel thickness max: 9.0mm
- * Gasket, screw+o-ring are packed separately in pe bag

UNIT:mm			TITLE
TOLERANCE	.X ±0.25	.XX ±0.1	O SEN, M20 48H, 20A RECEPTACLE, M, F, SOLDER
.XXX ±0.05	ANGLES ±1°	SCALE 1:1	SIZE A4
REV. E	WC-REV. A.2	SHEET 1 OF 1	∅ Inspection item

Amphenol LTW
 安費諾亮泰企業股份有限公司

ITEM NO	DRAWN BY	DATE
DWG NO	CHECKED BY	DATE
CUSTOMER	APPROVED BY	DATE
LC20-XXPMFS-SW8001	Vicky	2016-05-04
ALTW	Rita	2016-05-04
	Lisa	2016-05-04