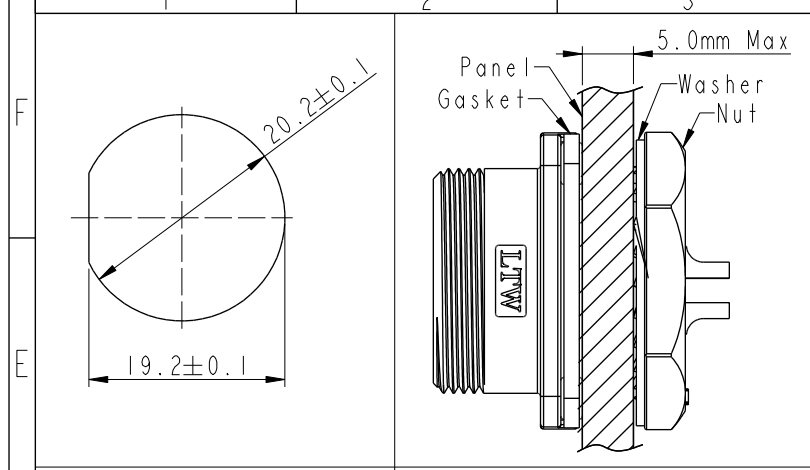
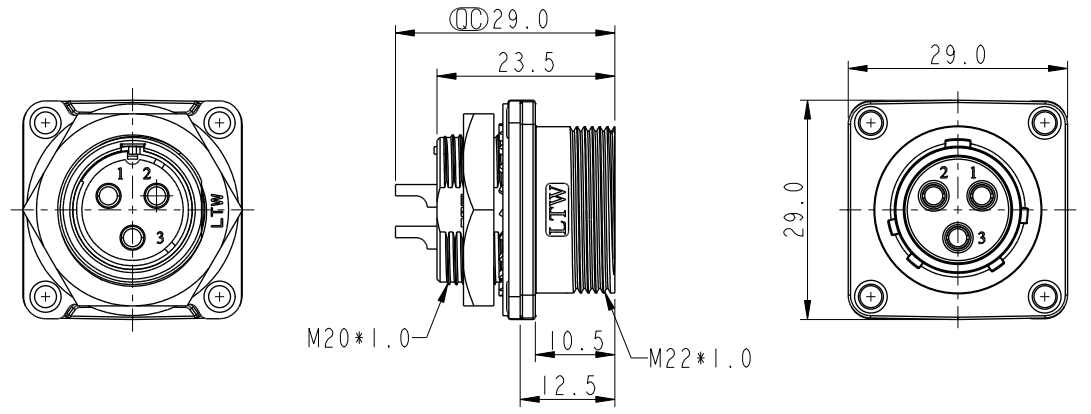


THIS DOCUMENT IS SUBJECT TO CHANGE WITHOUT NOTICE. IT IS CONFIDENTIAL AND A PROPERTY OF AMPHENOL LTW. DISCLOSURE TO THIRD PARTY HAS TO BE AUTHORIZED BY AMPHENOL LTW.

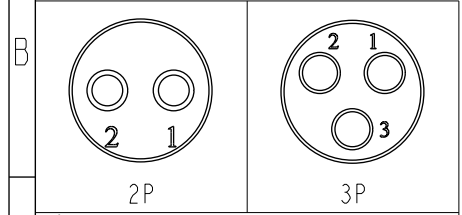
REV.	ECN NO.	DATE	SIGN	DESCRIPTION
B	LE31650231	2016/05/04	Vicky	Update Note
C	C210669	2021/04/29	Vicky	$\triangle C$ X5
D	C221869	2022/12/05	Vicky	$\triangle D$ XI



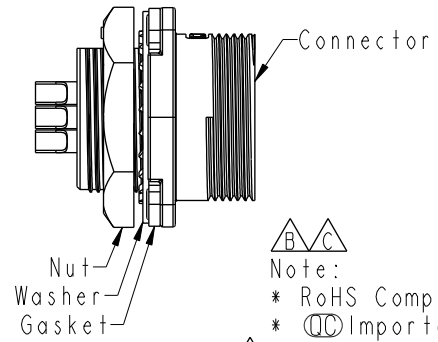
Recommend Panel Cut-Out Assembly Instruction



$\triangle C$ LC20-XXPMFS-SN8001
 XX: No. Of Pin



$\triangle C$ Pin Assignments Front View



- $\triangle B$ $\triangle C$
 Note:
- * RoHS Compliant
 - * ⌀ Important dimension
 - * $\triangle D$ Waterproof rate: IP68, unmated 1m/24h
 - * Connector
 - Housing: Thermoplastic, Black
 - Pin: Copper alloy, Silver plated
 - Gasket: Rubber, Gray
 - Shield: Metal
 - * Nut: Metal
 - * Washer: Metal
 - * Gasket: Rubber, Gray
 - * For panel thickness max: 5.0mm
 - * Gasket, nut and washer are packed separately in pe bag

UNIT:mm	⌀	⌢	TITLE
TOLERANCE	.X	± 0.25	O SEN, M20 48H, 20A
	.XX	± 0.1	RECEPTACLE, M, F, SOLDER
	.XXX	± 0.05	
	ANGLES	$\pm 1^\circ$	
SCALE	1:1	SIZE	A4
REV.	D	WC-REV.	A.2
		⌀	Inspection item

Amphenol LTW
 安費諾亮泰企業股份有限公司

ITEM NO	DRAWN BY	DATE
	Vicky	2016-05-04
DWG NO	CHECKED BY	DATE
$\triangle C$ LC20-XXPMFS-SN8001	Rita	2016-05-04
CUSTOMER	APPROVED BY	DATE
ALTW	Lisa	2016-05-04