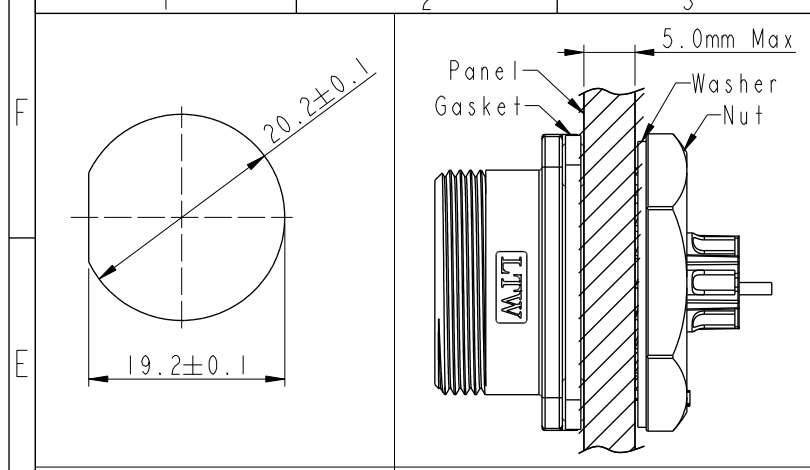
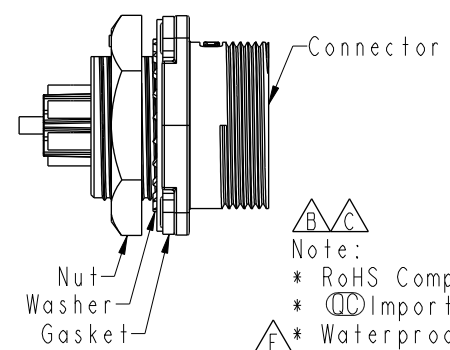
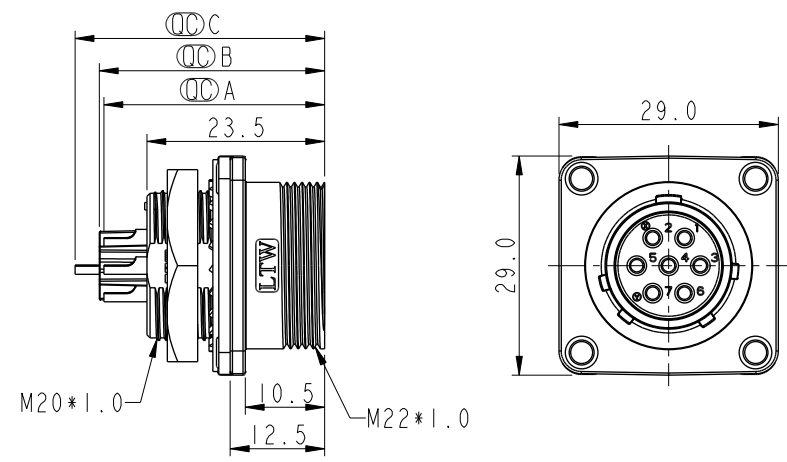
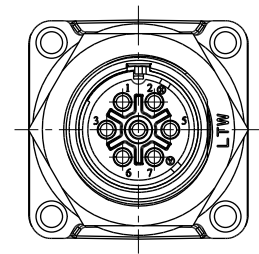


THIS DOCUMENT IS SUBJECT TO CHANGE WITHOUT NOTICE. IT IS CONFIDENTIAL AND A PROPERTY OF AMPHENOL LTW. DISCLOSURE TO THIRD PARTY HAS TO BE AUTHORIZED BY AMPHENOL LTW.

REV.	ECN NO.	DATE	SIGN	DESCRIPTION
C	C210669	2021/04/29	Vicky	△C X5
D	C220337	2022/03/04	Vicky	△D XI
E	C221869	2022/12/05	Vicky	△E XI

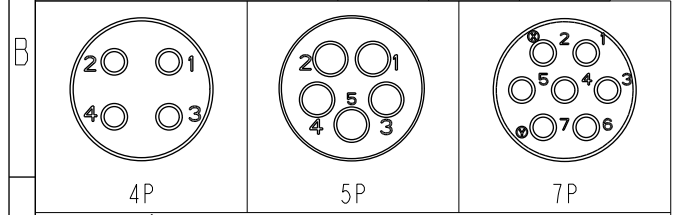


Recommend Panel Cut-Out Assembly Instruction



- Note:
- * RoHS Compliant
 - * Important dimension
 - * Waterproof rate: IP68, unmated 1m/24h
 - * Connector
 - Housing: Thermoplastic, Black
 - Pin: Copper alloy, Silver plated
 - Gasket: Rubber, Gray
 - Shield: Metal
 - * Nut: Metal
 - * Washer: Metal
 - * Gasket: Rubber, Gray
 - * For panel thickness max: 5.0mm
 - * Gasket, nut and washer are packed separately in pe bag

LB20-04PMFS-SN8001	29.0		
LB20-05PMFS-SN8001		29.8	
LB20-07PMFS-SN8001		29.8	33.0
Item No.	A	B	C



△C Pin Assignments Front View

△C LB20-XXPMFS-SN8001
XX: No. Of Pin

UNIT:mm			TITLE O SEN, M20 48H, 10A RECEPTACLE, M, F, SOLDER
TOLERANCE	.X ±0.25	.XX ±0.1	SCALE 1:1
.XXX ±0.05	ANGLES ±1°	REV. E	SIZE A4
		WC-REV. A.1	SHEET 1 OF 1
		Inspection item	

Amphenol LTW
安費諾亮泰企業股份有限公司

ITEM NO	DRAWN BY	DATE
DWG NO	CHECKED BY	DATE
CUSTOMER	APPROVED BY	DATE
LB20-XXPMFS-SN8001	Vicky	2016-05-04
ALTW	Rita	2016-05-04
	Lisa	2016-05-04