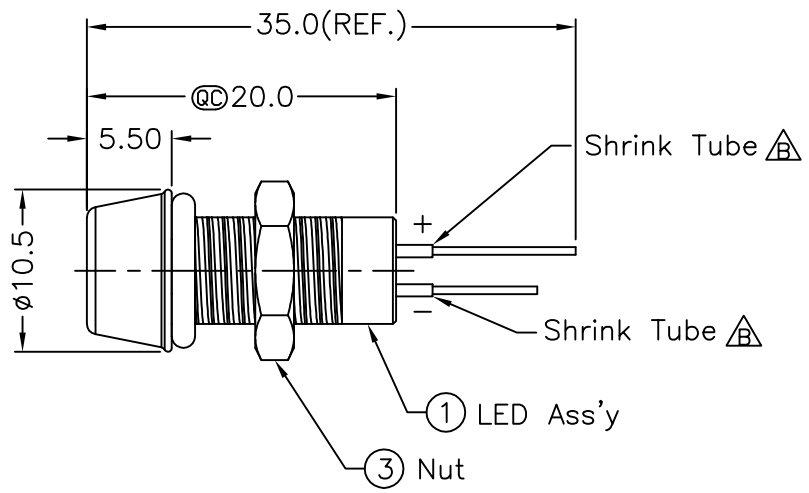
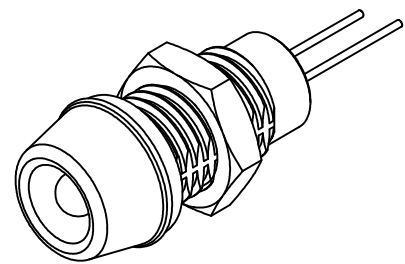
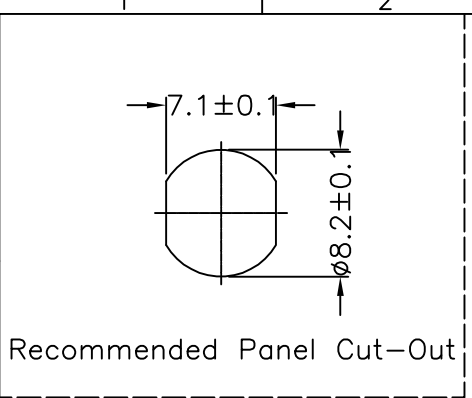
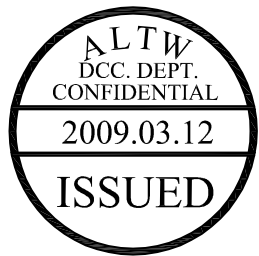
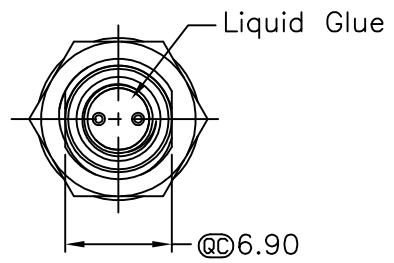
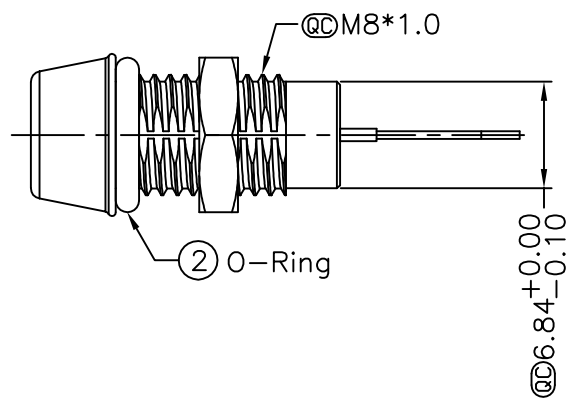
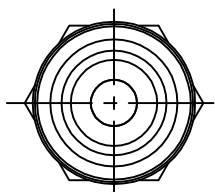


REV.	ECN NO.	DATE	SIGN	DESCRIPTION
B	LF3-850095	2008/05/14	Rex	LED Pin Add Shrink Tube
C	LEN-930468	2009/03/04	ZhaoRongFu	Add Waterproof Rate



Notes:

- \* @C Important Dimension To Check
- \* Waterproof Rate: IP67
- \* LED Holder: Brass, Nickel Plating
- \* LED:  $\phi 3$  mm, Blue (高亮度)
- \* Gasket: EPDM, Black
- \* Screw Nut: Brass, Nickel Plating
- \* Operating Voltage: DC 4V
- \* Operating Temperature:  $-40 \sim +80^{\circ}\text{C}$
- \* For Panel Thickness 6.5mm Max.



UNIT:mm	
TOLERANCE	
.X	±0.25
.XX	±0.1
.XXX	±0.05
ANGLES	±1'

TITLE Waterproof Led ( $\phi 3$ mm) Blue, Solder Type	
SCALE Free	SHEET 1 OF 1
REV. C	SIZE A4
@C : Inspection Item	

**Amphenol LTW**  
安費諾亮泰企業股份有限公司

ITEM NO L08-01BAAS-MR7001	DRAWN BY Zhao Rong Fu
DWG NO L08-01BAAS-MR7001	CHECKED BY Prune
CUSTOMER ALTW	APPROVED BY LUKE

DATE 2009/03/04
DATE 2009/03/05
DATE 2009/03/05

THIS DOCUMENT IS SUBJECT TO CHANGE WITHOUT NOTICE. IT IS CONFIDENTIAL AND A PROPERTY OF Amphenol LTW. DISCLOSURE TO THIRD PARTY HAS TO BE AUTHORIZED BY Amphenol LTW.