
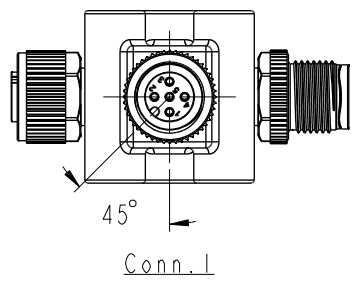
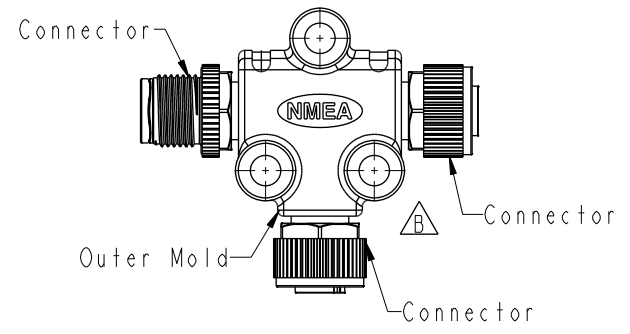
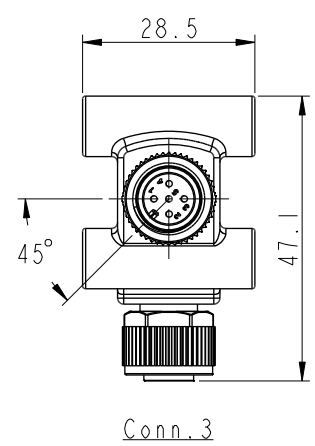
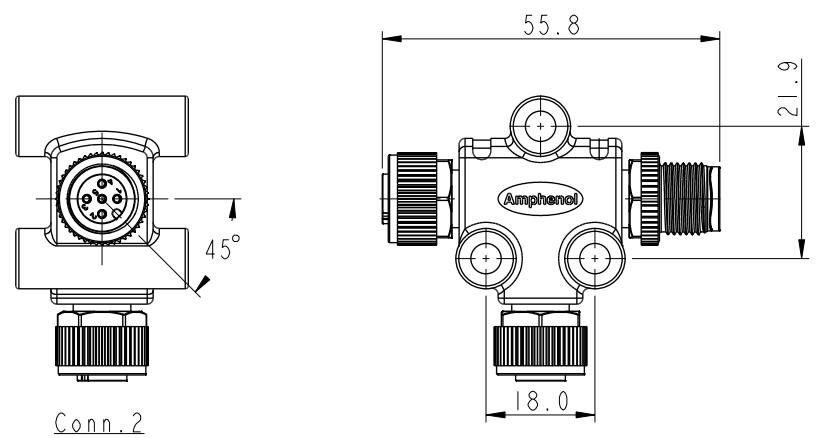


THIS DOCUMENT IS SUBJECT TO CHANGE WITHOUT NOTICE. IT IS CONFIDENTIAL AND A PROPERTY OF Amphenol LTW. DISCLOSURE TO THIRD PARTY HAS TO BE AUTHORIZED BY Amphenol LTW.


REV.	ECN NO.	DATE	SIGN	DESCRIPTION
A	Initial Release	2023/05/09	Ruru	HPC-050505-FFM-TS001 To HPC-XXXXXX-FFM-TS001
B	C230624	2023/05/15	Ruru	 XI

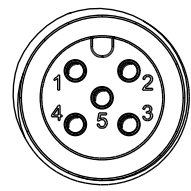
HPC-XXXXXX-FFM-TS001

XX: No. Of Pin

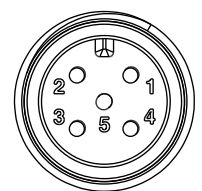


Note:

- \* RoHS Compliant
- \*  Important dimension
- \* Waterproof rate: IP68, mated 1m/24h
- \* C1 & C2  
Housing: Thermoplastic, Black  
Pin: Copper alloy, Gold plated  
O-Ring: Rubber, Green  
Nut: Thermoplastic, Black
- \* C3  
Housing: Thermoplastic, Black  
Pin: Copper alloy, Gold plated  
Nut: Thermoplastic, Black
- \* Outer mold: Thermoplastic, Blue
- \* Wire Harness: UL1061, 22AWG




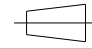
Conn. 1&2  
Pin Assignments  
Front View



Conn. 3  
Pin Assignments  
Front View

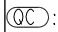
Wire Color	Conn.1	Conn.2	Conn.3
Blue 藍	5	5	5
White 白	4	4	4
Black 黑	3	3	3
Red 紅	2	2	2
Green 綠	1	1	1

Pin Out

UNIT:mm    
TOLERANCE  
±0.50mm

TITLE ACC, NMEA, APVD, T ADA W/O CB  
FFM

SCALE 1:1 SIZE A4 SHEET 1 OF 1

REV. B WC-REV. A.1  Inspection item

**Amphenol LTW**  
安費諾亮泰企業股份有限公司

ITEM NO	DRAWN BY	DATE
	Ruru	2023-05-09
DWG NO	CHECKED BY	DATE
HPC-XXXXXX-FFM-TS001	Rita	2023-05-09
CUSTOMER	APPROVED BY	DATE
ALTW	Max	2023-05-09