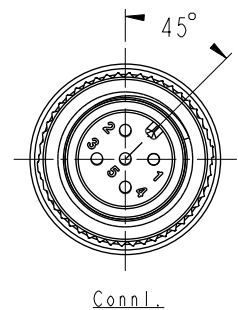


THIS DOCUMENT IS SUBJECT TO CHANGE WITHOUT NOTICE. IT IS CONFIDENTIAL AND A PROPERTY OF AMPHENOL LTW. DISCLOSURE TO THIRD PARTY HAS TO BE AUTHORIZED BY AMPHENOL LTW.

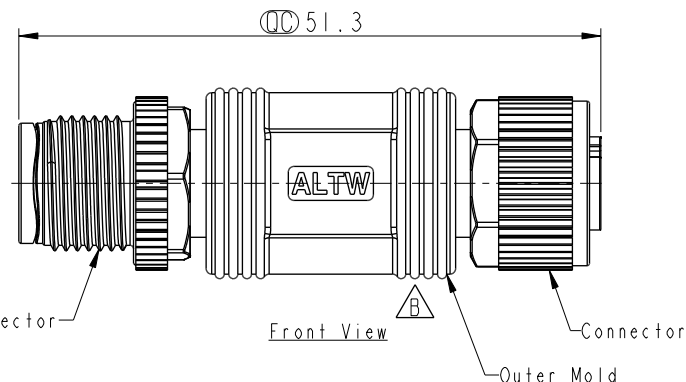
REV.	ECN NO.	DATE	SIGN	DESCRIPTION
A	Initial Release	2023/04/28	Ruru	HPC-000505-0MF-1S001 To HPC-XXXX00-MF0-1S001
B	C230624	2023/05/15	Ruru	$\triangle B$ XI

HPC-XXXX00-MF0-1S001

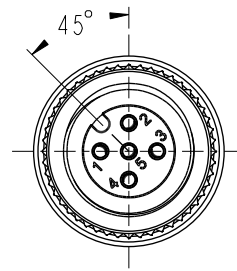
XX: No. Of Pin



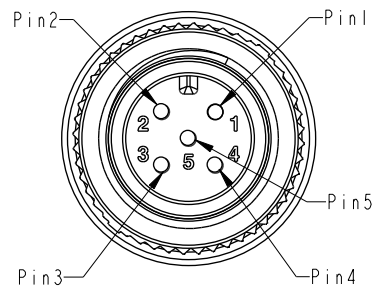
Conn1.



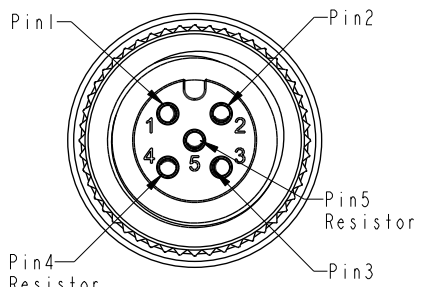
Front View



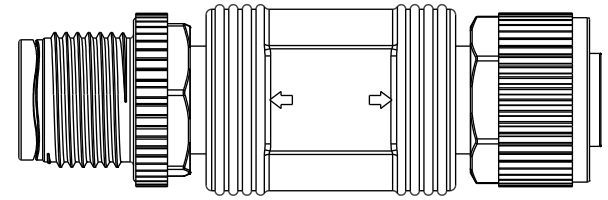
Conn2.



Pin Assignments
Front View
Conn1.



Pin Assignments
Front View
Conn2.



Back View

Blue 藍 (22AWG)	5	5	} Resistor
White 白 (22AWG)	4	4	
Black 黑 (22AWG)	3	3	
Red 紅 (22AWG)	2	2	
Green 綠 (22AWG)	1	1	
Wire Color	Conn.1	Conn.2	

Pin Out

Note:

- * RoHS Compliant
- * \varnothing Important dimension
- * Waterproof rate: IP68, mated 1m/24h
- * Connector
Housing: Thermoplastic, Black
Pin: Copper alloy, Gold plated
Nut: Thermoplastic, Black
- * Connector
Housing: Thermoplastic, Black
Pin: Copper alloy, Gold plated
Nut: Thermoplastic, Black
O-Ring: Rubber, Green
- * Outer mold: Thermoplastic, Blue
- * Resistor: 1/4W, 120ohm \pm 5% Resistance, Molded Inside The Connector
- * Wire Harness: UL1007 22AWG

UNIT:mm		
TOLERANCE	± 0.5 mm	

TITLE ACC, NMEA, APVD, I ADA W/O CB MF			
SCALE 3:2	SIZE A4	SHEET 1 OF 1	
REV. B	WC-REV. A.4	\varnothing : Inspection item	

Amphenol LTW
安費諾亮泰企業股份有限公司

ITEM NO	DRAWN BY Ruru	DATE 2023-04-28
DWG NO HPC-XXXX00-MF0-1S001	CHECKED BY Rita	DATE 2023-04-28
CUSTOMER ALTW	APPROVED BY Max	DATE 2023-04-28