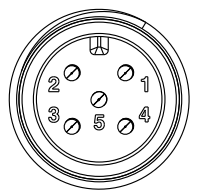
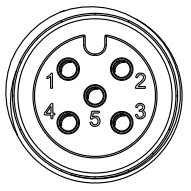
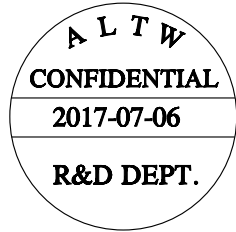
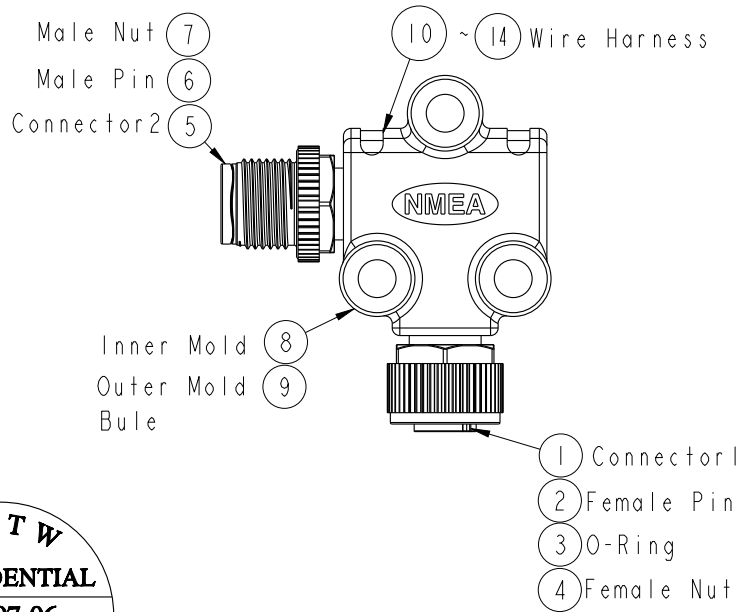
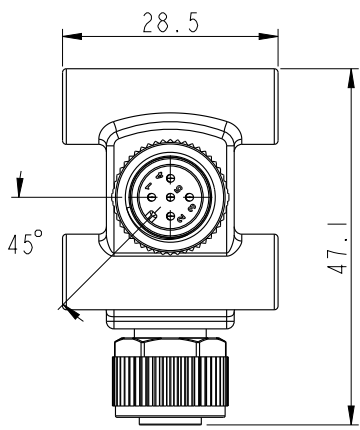
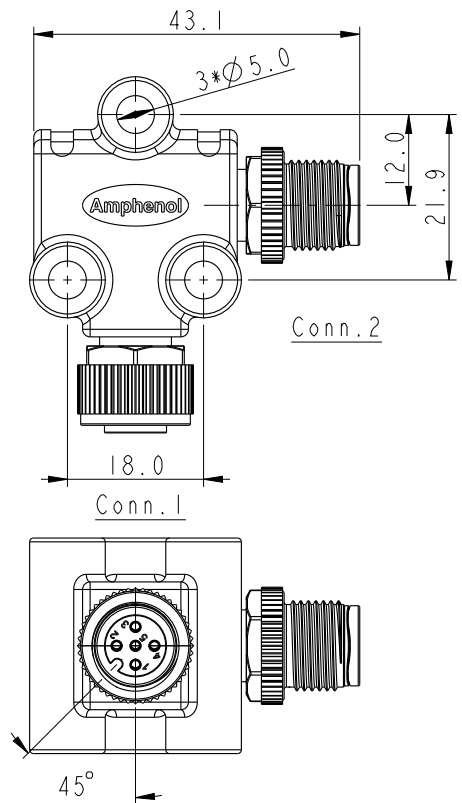


THIS DOCUMENT IS SUBJECT TO CHANGE WITHOUT NOTICE. IT IS CONFIDENTIAL AND A PROPERTY OF Amphenol LTW. DISCLOSURE TO THIRD PARTY HAS TO BE AUTHORIZED BY Amphenol LTW.

REV.	ECN NO.	DATE	SIGN	DESCRIPTION
A	Initial Release	2017-03-23	Frank Deng	Change Rev.01 To Rev.A
B	LEN1770178	2017-07-03	Frank Deng	Change Note



Blue 藍	5	5
White 白	4	4
Black 黑	3	3
Red 紅	2	2
Green 綠	1	1
Wire Color	Conn.1	Conn.2
	Pin Out	

**Note:**

- \*  $\varnothing$  Important Dimension To Check.
- \* Waterproof Rate: IP68  
In 1 meter water within 24 hours
- \* Connector: Pu, Black
- \* Nut: PA66, Black
- \* Pins: Copper Alloy, Gold Plated 30u"
- \* Outer Mold: PU, Blue
- \* Wire Harness: UL1061, 22AWG

UNIT:mm TOLERANCE ±0.50mm	TITLE NMEA2000 Micro-C ELBOW (L-Adapter), Plastic		<b>Amphenol LTW</b> 安費諾亮泰企業股份有限公司		ITEM NO HPC-000505-0FM-ES001	DRAWN BY Frank Deng	DATE 2017-07-06		
	SCALE 1:1	SIZE A4			SHEET 1	OF 1	DWG NO HPC-000505-0FM-ES001	CHECKED BY Fisher Wang	DATE 2017-07-06
	REV. B	WC-REV. A.3			QC: Inspection item		CUSTOMER ALTW	APPROVED BY Kevin Hu	DATE 2017-07-06