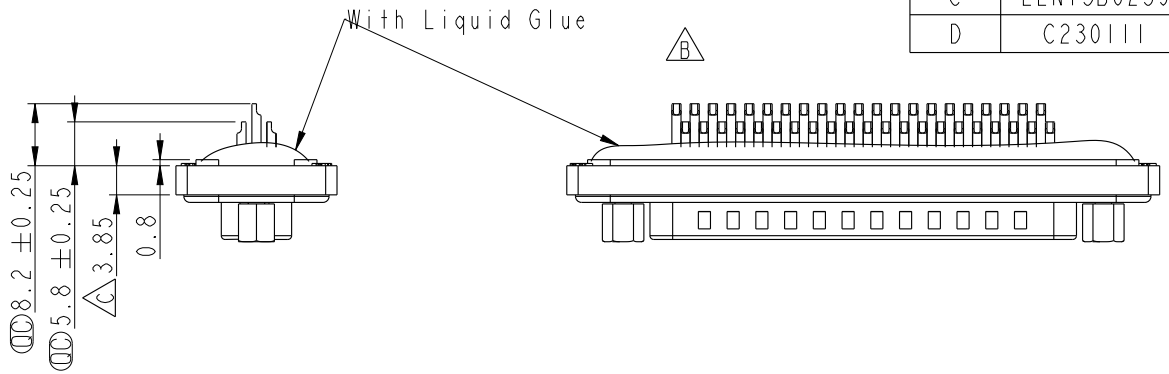


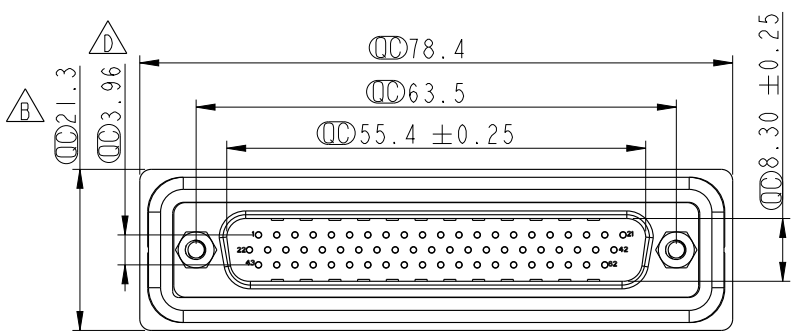
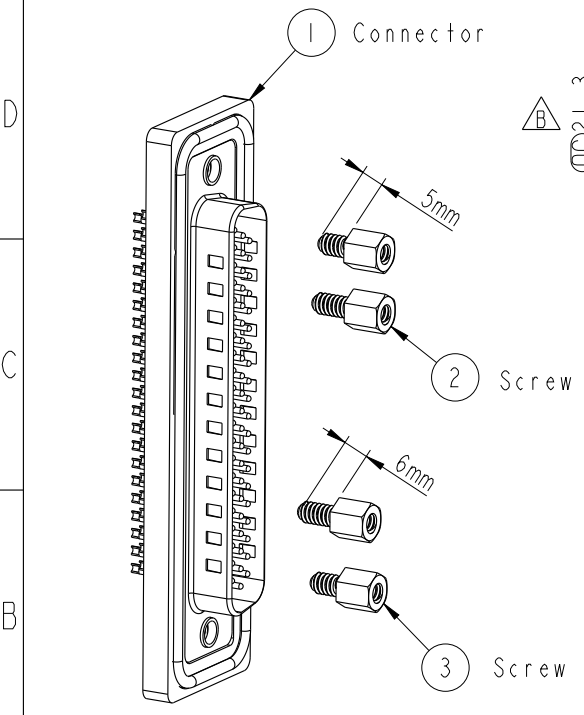
REV.	ECN NO.	DATE	SIGN	DESCRIPTION
B	LEN-9A0279	2009/10/12	Vicky	REF. TO ECR/N.NOTE.
C	LEN13B0259	2013-11-12	Sam	Modify Dimension.
D	C230111	2023/01/31	Zhi Cheng	$\triangle D$ *1



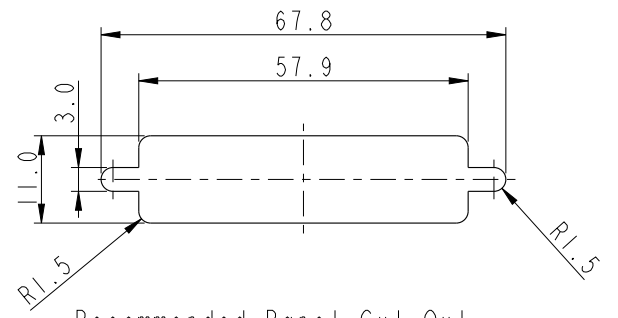
Panel Thickness  
面板厚度

Screw L=5.0 For Panel Thickness  
Under 1.2mm  
適用板厚為 1.2mm 以下

Screw L=6.0 For Panel Thickness  
Between 1.2~2.0mm  
適用板厚為 1.2~2.0mm



Note:  
 \*  $\varnothing$  Important Dimension.  
 \* Waterproof Rate: IP67  
 \* Do Mating Test After Glued  
 點膠後，須作對插測試  
 \* Housing: Nylon+GF, Black.  
 \* Connector: PBT, Black.  
 \* Male Pin: Copper Alloy, Gold Plated.  
 \* Ring: Silicone, Light Blue.  
 \* Screw: Copper Alloy, Nickel Plated, #4-40 UNC.  
 \* Applicable Wire Range: 24AWG-28AWG.  
 適用電線範圍: 24AWG-28AWG



Recommended Panel Cut-Out  
建議挖孔尺寸

UNIT: mm	$\varnothing$	$\nabla$
TOLERANCE		$\triangle B$
.X	±0.25	
.XX	±0.1	
.XXX	±0.05	
ANGLES	±1°	

TITLE D-SUB Conn. $\triangle B$ Panel Screw HD62P M Conn. M Pin			
SCALE	SIZE	SHEET	OF
1:1	A4	1	1
REV.	WC-REV.	$\varnothing$ : Inspection item	
D	A.3		

**Amphenol LTW**  
安費諾亮泰企業股份有限公司

ITEM NO	HDB-62PMMS-SL7001	DRAWN BY	SamChange	DATE	2013-11-12
DWG NO	HDB-62PMMS-SL7001	CHECKED BY	Jeffrey	DATE	2013-11-12
CUSTOMER	ALTW	APPROVED BY	Rate	DATE	2013-11-12

THIS DOCUMENT IS SUBJECT TO CHANGE WITHOUT NOTICE. IT IS CONFIDENTIAL AND A PROPERTY OF Amphenol LTW. DISCLOSURE TO THIRD PARTY HAS TO BE AUTHORIZED BY Amphenol LTW.