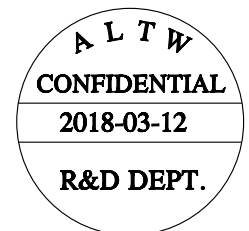
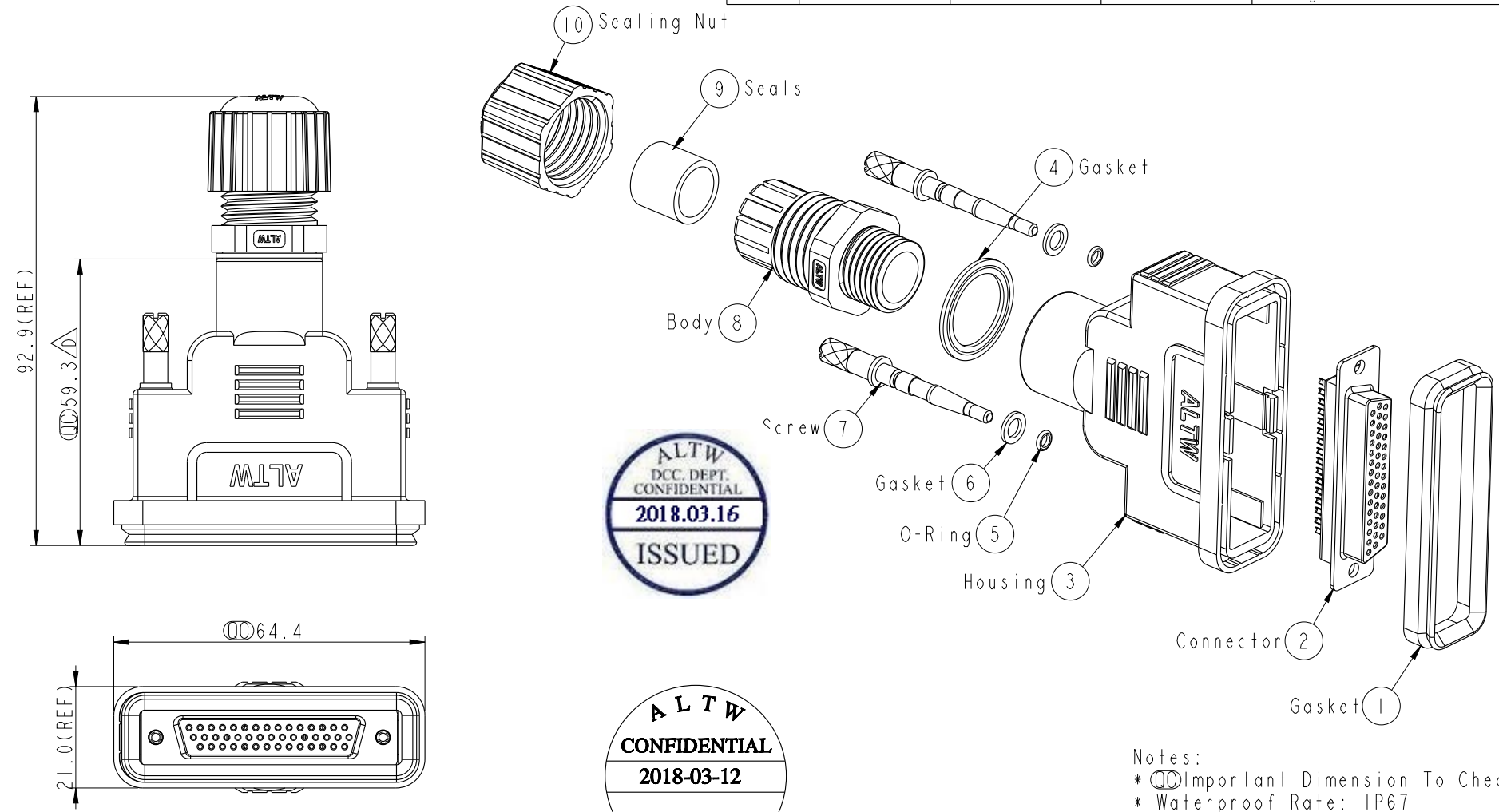


THIS DOCUMENT IS SUBJECT TO CHANGE WITHOUT NOTICE. IT IS CONFIDENTIAL AND A PROPERTY OF Amphenol LTW. DISCLOSURE TO THIRD PARTY HAS TO BE AUTHORIZED BY Amphenol LTW.

REV.	ECN NO.	DATE	SIGN	DESCRIPTION
B	LEN1160159	2011/05/06	Jiang Jun Hua	Change 21.0 To 21.0(Ref)
C	LEN1560182	2015/04/07	Ruru	Change Logo
D	LEN1830078	2018/03/12	Ethan	Change Dimension



Notes:  
 \*  $\varnothing$  Important Dimension To Check  
 \* Waterproof Rate: IP67  
 \* Housing : ABS, UL94V-0  
 \* Connector : HD-SUB 44Pin Female  
 \* Seals For Cable OD:  $\varnothing 6.0\text{mm} \sim \varnothing 10.0\text{mm}$   
 \* One Set Unassembled in One PE Bag

UNIT:mm		TITLE
TOLERANCE	$\pm 0.5\text{mm}$	HD-SUB Conn. Assy Screw HD44Pin F Conn. F Pin
SCALE	1:1	SIZE A4
REV.	D	WC-REV. A.3
		$\varnothing$ : Inspection item

**Amphenol LTW**  
 安費諾亮泰企業股份有限公司

ITEM NO	HDB-44BFFA-SL7001	DRAWN BY	Ethan	DATE	2018-03-12
DWG NO	HDB-44BFFA-SL7001	CHECKED BY	Feng Li	DATE	2018-03-12
CUSTOMER	ALTW	APPROVED BY	Jerry	DATE	2018-03-12