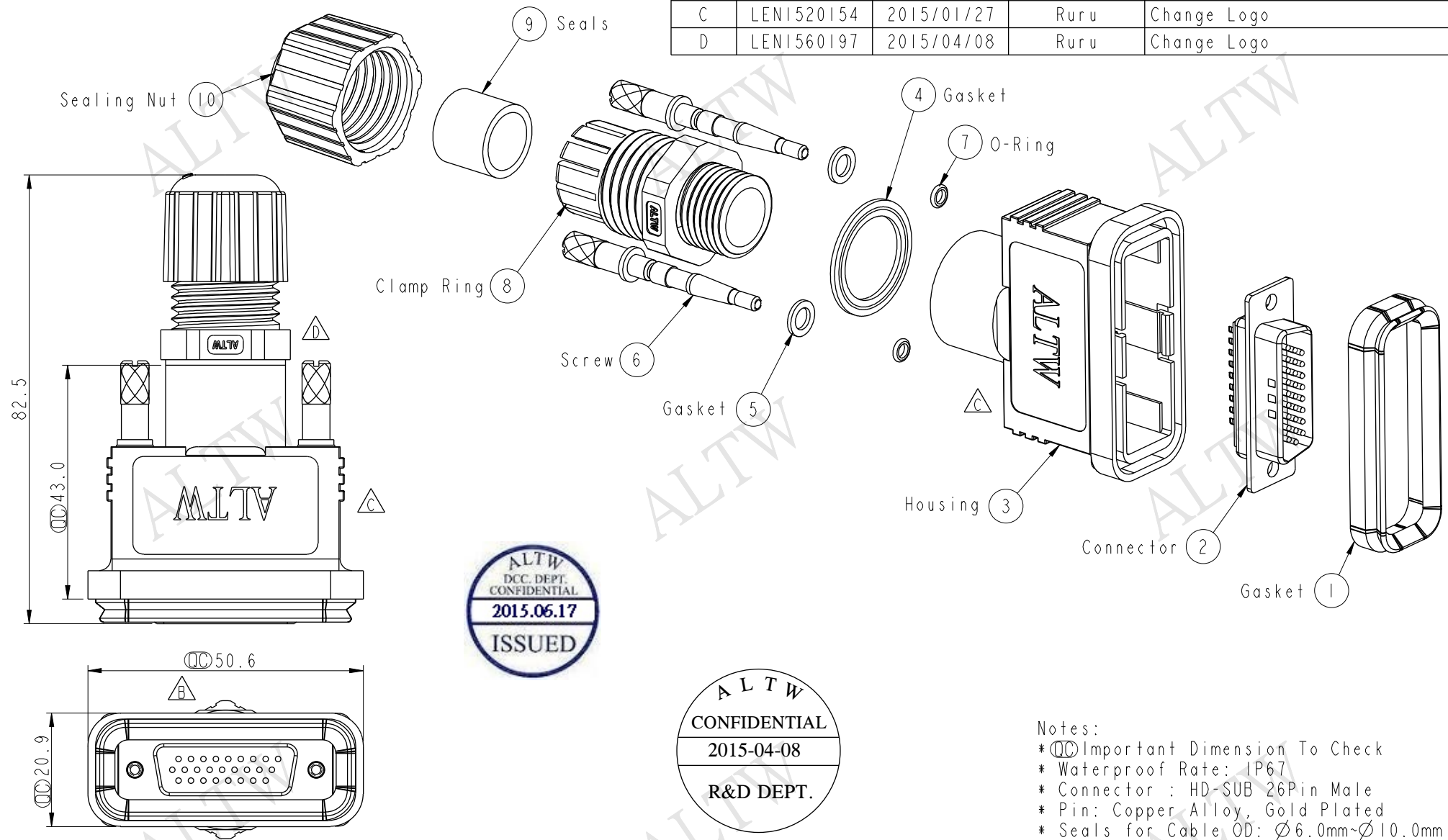


THIS DOCUMENT IS SUBJECT TO CHANGE WITHOUT NOTICE. IT IS CONFIDENTIAL AND A PROPERTY OF Amphenol LTW. DISCLOSURE TO THIRD PARTY HAS TO BE AUTHORIZED BY Amphenol LTW.

| REV. | ECN NO. | DATE | SIGN | DESCRIPTION |
|------|------------|------------|------------|--------------------|
| B | LEN-770343 | 2007/07/16 | Robert Hsu | Correct pin layout |
| C | LEN1520154 | 2015/01/27 | Ruru | Change Logo |
| D | LEN1560197 | 2015/04/08 | Ruru | Change Logo |



- Notes:
- * \varnothing Important Dimension To Check
 - * Waterproof Rate: IP67
 - * Connector : HD-SUB 26Pin Male
 - * Pin: Copper Alloy, Gold Plated
 - * Seals for Cable OD: \varnothing 6.0mm- \varnothing 10.0mm
 - * One Set Unassembled in One PE Bag

| | |
|-----------|---------------|
| UNIT: mm | |
| TOLERANCE | |
| .X | ± 0.25 |
| .XX | ± 0.1 |
| .XXX | ± 0.05 |
| ANGLES | $\pm 1^\circ$ |

| | | | |
|---|---------|---------------------------------|----|
| TITLE HD-SUB Conn. Assy Screw HD26Pin M Conn. M Pin | | | |
| SCALE | SIZE | SHEET | OF |
| 1:1 | A4 | 1 | 1 |
| REV. | WC-REV. | \varnothing : Inspection item | |
| D | A.3 | | |

Amphenol LTW
安費諾亮泰企業股份有限公司

| | | |
|--------------------------------|---------------------|--------------------|
| ITEM NO. HDB-26BMMMA-SL7001 | DRAWN BY Ruru | DATE 2015-04-08 |
| DWG NO. HDB-26BMMMA-SL7001 | CHECKED BY Rita | DATE 2015-04-08 |
| CUSTOMER ALTW | APPROVED BY Lion | DATE 2015-04-08 |