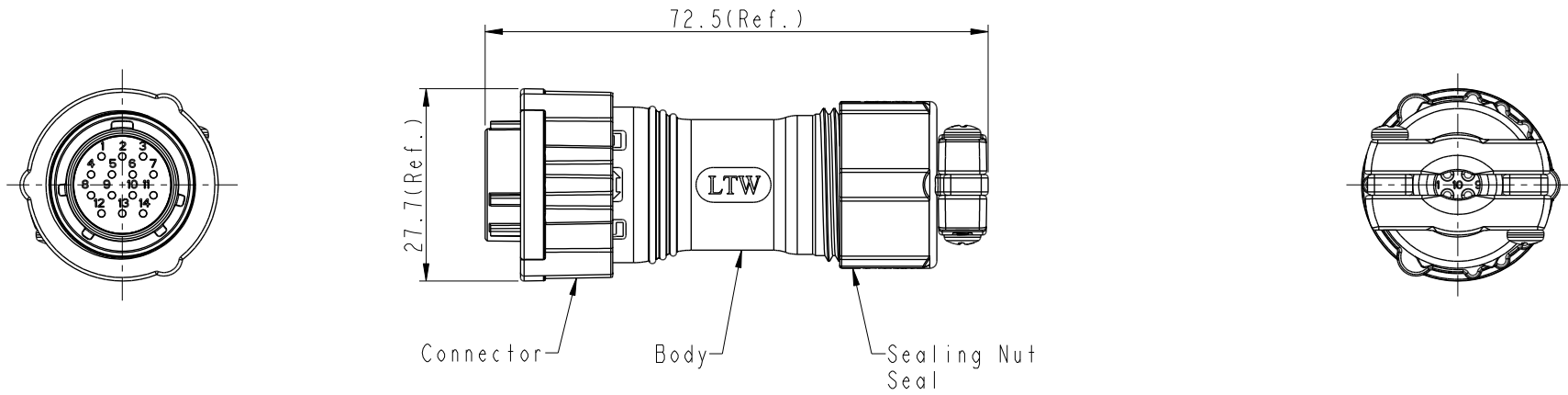


THIS DOCUMENT IS SUBJECT TO CHANGE WITHOUT NOTICE. IT IS CONFIDENTIAL AND A PROPERTY OF Amphenol LTW. DISCLOSURE TO THIRD PARTY HAS TO BE AUTHORIZED BY Amphenol LTW.

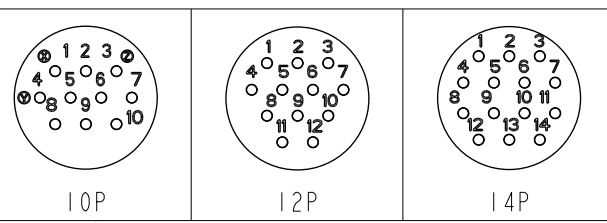
REV.	ECN NO.	DATE	SIGN	DESCRIPTION
A	Initial Release	2010/04/22	Jessie	Form Rev. 01 To A
B	C210669	2021/04/27	Vicky	$\triangle B$ X5
C	C221869	2022/12/05	Vicky	$\triangle C$ XI



$\triangle B$ HD20-XXBFMA-SL8001

XX: No. Of Pin

- $\triangle B$ Note:
- * RoHS Compliant
 - * $\text{\textcircled{C}}$ Important dimension
 - $\triangle C$ * Waterproof rate: IP68, mated 1m/24h
 - * Connector
 - Housing: Metal
 - Pin: Copper alloy, Gold plated
 - Gasket: Rubber, Gray
 - Nut: Metal
 - * Body: Metal
 - * Sealing Nut: Metal
 - * Seal1: Rubber, Gray, OD \varnothing 5.5mm~7.0mm
 - * Seal2: Rubber, Gray, OD \varnothing 7.0mm~9.3mm
 - * Seal3: Rubber, Gray, OD \varnothing 9.3mm~12.5mm
 - * One set assembled in one pe bag



$\triangle B$ Pin Assignments Front View

UNIT:mm		TITLE	O SEN, M20 500H,5A CABLE W/O SR, F, M, FI SOLDER	
TOLERANCE		SCALE	SIZE	SHEET OF
.X ± 0.25		1:1	A4	1 OF 1
.XX ± 0.1		REV.	WC-REV.	
.XXX ± 0.05		C	A.3	
ANGLES $\pm 1^\circ$		$\text{\textcircled{C}}$: Inspection item		

Amphenol LTW
安費諾亮泰企業股份有限公司

ITEM NO	DRAWN BY	DATE
	Jessie	2010-04-22
DWG NO	CHECKED BY	DATE
$\triangle B$ HD20-XXBFMA-SL8001	Jimmy	2010-05-12
CUSTOMER	APPROVED BY	DATE
ALTW	Win	2010-05-12