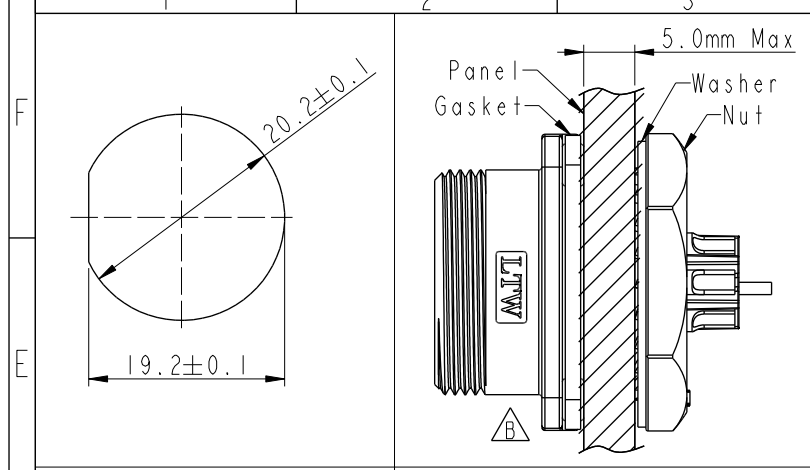
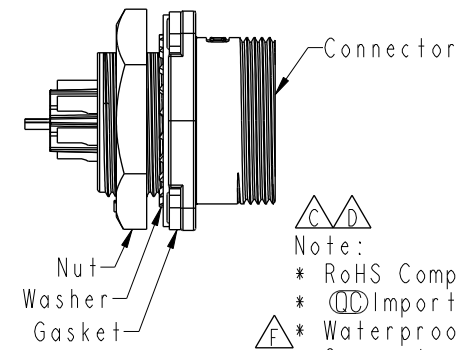
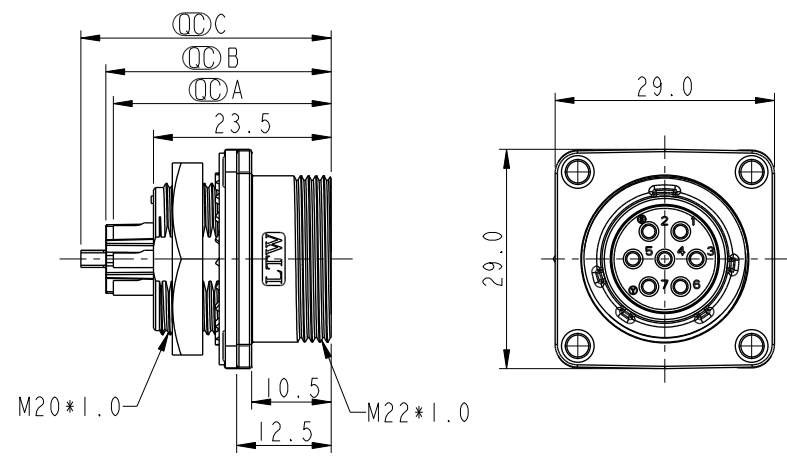
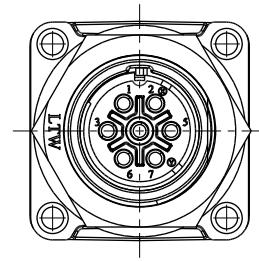


THIS DOCUMENT IS SUBJECT TO CHANGE WITHOUT NOTICE. IT IS CONFIDENTIAL AND A PROPERTY OF AMPHENOL LTW. DISCLOSURE TO THIRD PARTY HAS TO BE AUTHORIZED BY AMPHENOL LTW.

REV.	ECN NO.	DATE	SIGN	DESCRIPTION
D	C210669	2021/04/29	Vicky	△D X5
E	C220337	2022/03/02	Vicky	△E XI
F	C221869	2022/12/05	Vicky	△F XI



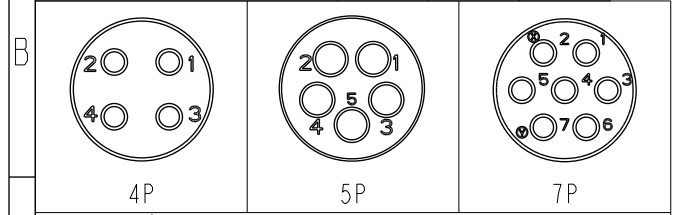
Recommend Panel Cut-Out Assembly Instruction



Note:

- * RoHS Compliant
- * △C Important dimension
- * Waterproof rate: IP68, unmated 1m/24h
- * Connector Housing: Thermoplastic, Black
- * Pin: Copper alloy, Gold plated
- * Gasket: Rubber, Gray
- * Shield: Metal
- * Nut: Metal
- * Washer: Metal
- * Gasket: Rubber, Gray
- * For panel thickness max: 5.0mm
- * Gasket, nut and washer are packed separately in pe bag

HB20-04PMFS-SN8001	29.0		
HB20-05PMFS-SN8001		29.8	
HB20-07PMFS-SN8001		29.8	33.0
Item No.	A	B	C



△D Pin Assignments Front View

△D HB20-XXPMFS-SN8001
XX: No. Of Pin

UNIT: mm			TITLE O SEN, M20 500H, 10A RECEPTACLE, M, F, SOLDER
TOLERANCE .X ±0.25 .XX ±0.1 .XXX ±0.05 ANGLES ±1°	SCALE 1:1	SIZE A4	SHEET 1 OF 1
REV. F	WC-REV. A.3	△C Inspection item	

Amphenol LTW
安費諾亮泰企業股份有限公司

ITEM NO. HB20-XXPMFS-SN8001	DWG. NO. CUSTOMER ALTW	DRAWN BY Vicky	DATE 2016-05-03
CHECKED BY Rita	DATE 2016-05-03	APPROVED BY Lisa	DATE 2016-05-03