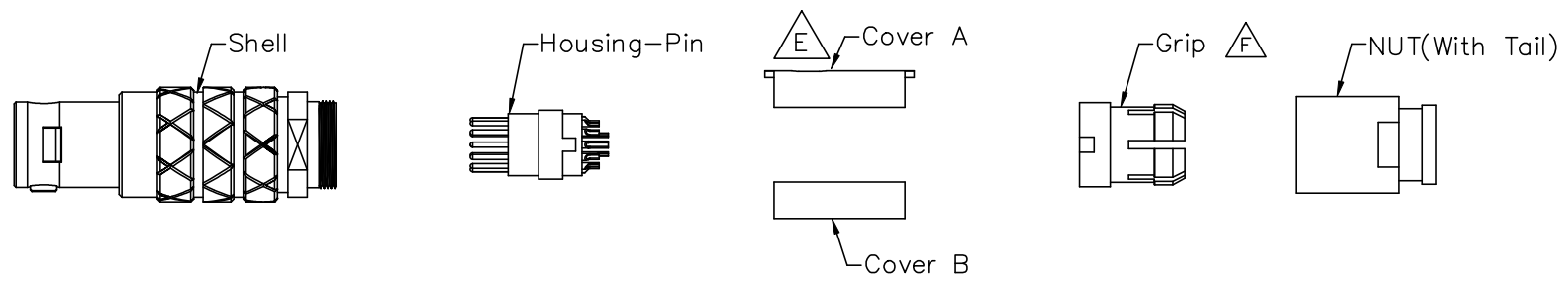
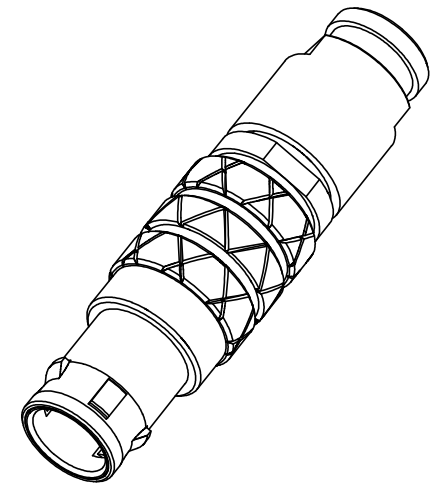
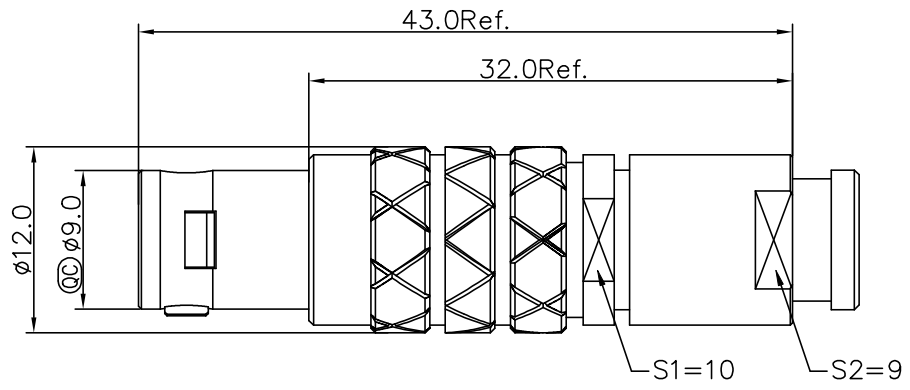


REV.	ECN NO.	DATE	SIGN	DESCRIPTION
D	C191570	2019/09/05	Ouyang	Change Cable dia range
E	C231360	2023/10/26	Ouyang	△ X3
F	C231505	2023/11/15	Ouyang	△ X1



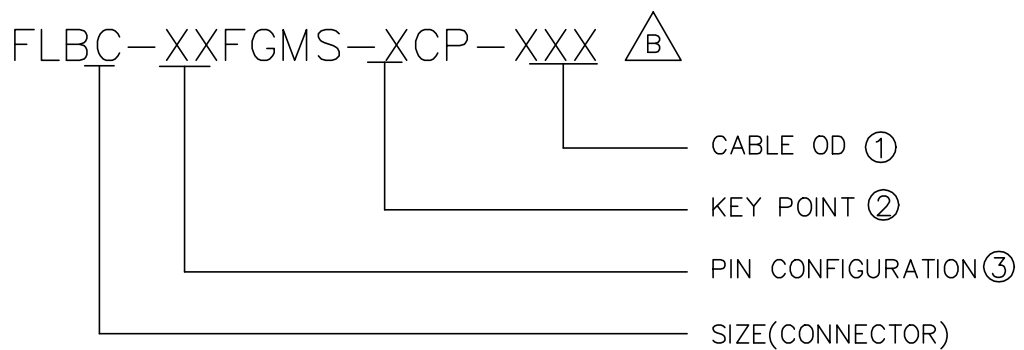
Notes:
 * QC Important Dimensions To Check.
 * Male Pin: Copper Alloy, Gold Plated.

1	2	3	4	5	6	7	8
UNIT: mm		TITLE FLOS, LB-SER, SZ 1, FI M M, SOLDER		Amphenol LTW 安費諾亮泰企業股份有限公司		ITEM NO	
TOLERANCE ±0.5MM		SCALE Free		DWG NO FLBC-XXFGMS-XCP-XXX		DRAWN BY Ouyang	
REV. F		SHEET 1 OF 2		CUSTOMER ALTW		CHECKED BY Neo	
SIZE A4		QC : Inspection Item		APPROVED BY Fred		DATE 2023/11/30	
						DATE 2023/11/30	
						8 W0814-03-表單01A2	

THIS DOCUMENT IS SUBJECT TO CHANGE WITHOUT NOTICE. IT IS CONFIDENTIAL AND A PROPERTY OF Amphenol LTW. DISCLOSURE TO THIRD PARTY HAS TO BE AUTHORIZED BY Amphenol LTW.

THIS DOCUMENT IS SUBJECT TO CHANGE WITHOUT NOTICE. IT IS CONFIDENTIAL AND A PROPERTY OF Amphenol LTW. DISCLOSURE TO THIRD PARTY HAS TO BE AUTHORIZED BY Amphenol LTW.

1B-SERIES CABLE COLLET(CABLE OD)			
CABLE CLAMP SET		CABLE DIA RANGE	
TYPE	CODE ①	MAX	MIN ^{△D}
^{△B} FLBC-XXFGMS-XCP-XXX	202	3.2	2.7
	204	4.2	3.3
	207	5.2	4.3
	211	6.2	5.3
	214	7.2	6.3
	--	--	--



KEY POINT ②

CODE	G	A	B	C	J	F
	0°	30°	60°	90°	45°	155°
GRAPHIC						

PIN CONFIGURATION (Solder Definition) ③ ^{△C}

GRAPHIC										
	2 PIN	3 PIN	4 PIN	5 PIN	6 PIN	7 PIN	8 PIN	10 PIN	14 PIN	16 PIN

UNIT:mm	TITLE FLOS, LB-SER, SZ 1, FI M M, SOLDER ^{△E}	
TOLERANCE ±0.5MM	SCALE Free	SHEET 2 OF 2
REV. F	SIZE A4	QC: Inspection Item

Amphenol LTW
安費諾亮泰企業股份有限公司

ITEM NO	DRAWN BY Ouyang	DATE 2023/11/30
DWG NO FLBC-XXFGMS-XCP-XXX	CHECKED BY Neo	DATE 2023/11/30
CUSTOMER ALTW	APPROVED BY Fred	DATE 2023/11/30