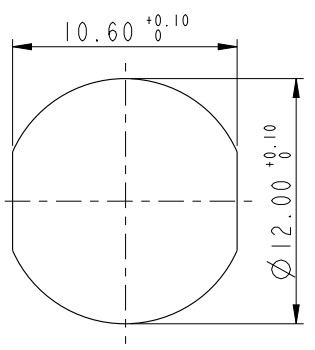
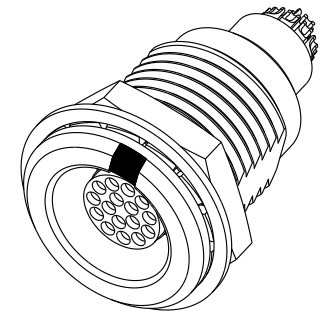
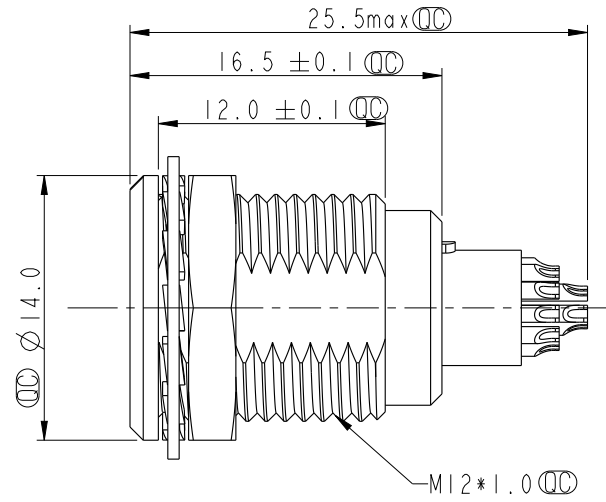
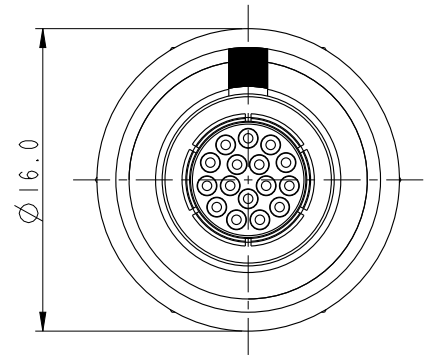
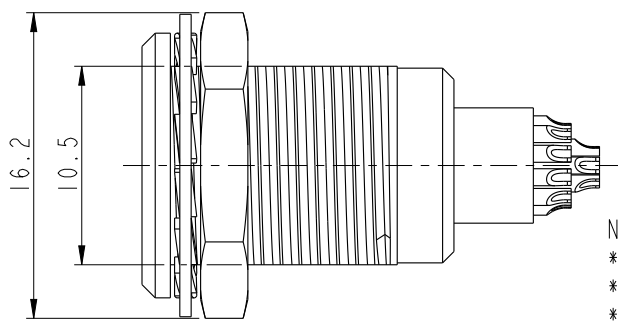


THIS DOCUMENT IS SUBJECT TO CHANGE WITHOUT NOTICE. IT IS CONFIDENTIAL AND A PROPERTY OF Amphenol LTW. DISCLOSURE TO THIRD PARTY HAS TO BE AUTHORIZED BY Amphenol LTW.

REV.	ECN NO.	DATE	SIGN	DESCRIPTION
B	C190181	2019-03-04	Ouyang	x2
C	C190679	2019-05-06	Ouyang	x1
D	C211511	2021-10-09	Ouyang	x2



Recommended
Panel Cut-Out
Rear View



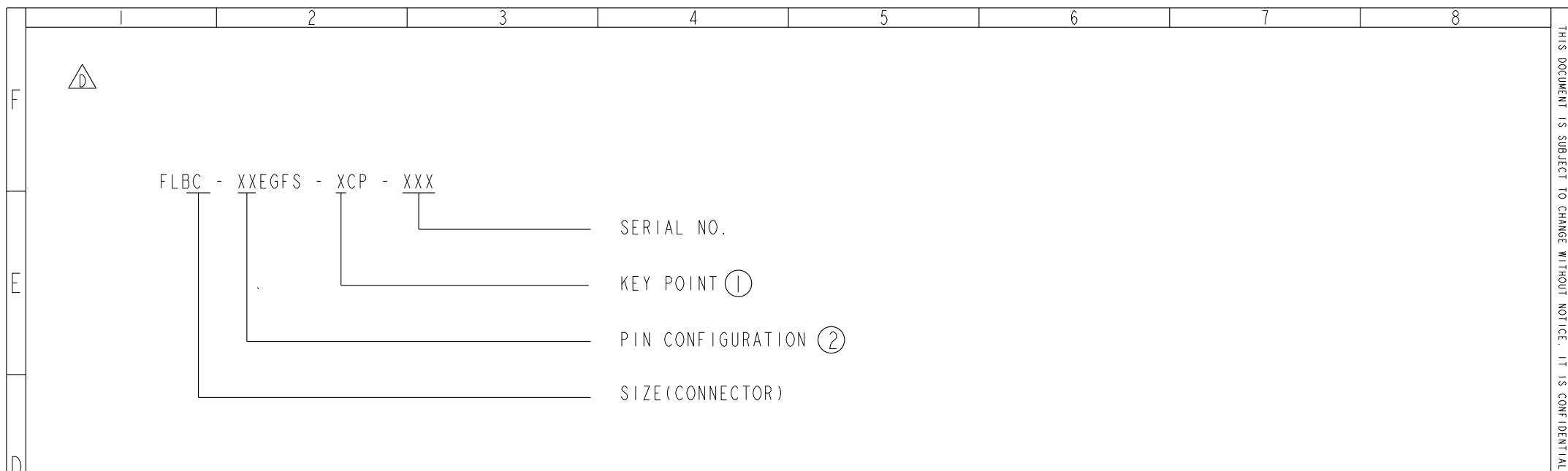
Note:
 * RoHS Compliant
 * Important Dimension
 * Connector
 Housing: Thermoplastic, Beige
 Pin: Copper Alloy, Gold Plated
 * Shield: Meta
 * Nut: Metal
 * Use without waterproof cap or dust cap
 Panel thickness max: 7.5mm
 * Metal Gasket and nut are assembled on connectors

UNIT:mm		TITLE FLOS, LB-SER, SZ 1, PANEL F H/NUT F, SOLDER, IKEY 0	
TOLERANCE	$\pm 0.5\text{mm}$	SCALE 1:1	SIZE A4
		REV. D	WC-REV. .0
		SHEET 1 OF 2 : Inspection item	

Amphenol LTW
 安費諾亮泰企業股份有限公司

ITEM NO.		DRAWN BY	Ouyang	DATE	2021-09-07
DWG NO.	FLBC-XXEGFS-XCP-XXX	CHECKED BY	Jerry	DATE	2021-09-07
CUSTOMER	ALTW	APPROVED BY	Fred	DATE	2021-09-07

THIS DOCUMENT IS SUBJECT TO CHANGE WITHOUT NOTICE. IT IS CONFIDENTIAL AND A PROPERTY OF Amphenol LTW. DISCLOSURE TO THIRD PARTY HAS TO BE AUTHORIZED BY Amphenol LTW.



KEY POINT ①

CODE	G	A	B	C	J	F
GRAPHIC	0°	30°	60°	90°	45°	155°

PIN CONFIGURATION (Solder Definition) ②

GRAPHIC	2PIN	3PIN	4PIN	5PIN	6PIN	7PIN	8PIN	10PIN	14PIN	16PIN

UNIT: mm TOLERANCE ±0.5mm	TITLE FLOS, LB-SER, SZ 1, PANEL F H/NUT F, SOLDER, IKEY 0		<h1>Amphenol LTW</h1> <p>安費諾亮泰企業股份有限公司</p>		ITEM NO △	DRAWN BY Ouyang	DATE 2021-09-06
	SCALE 1:1	SIZE A4			SHEET 2 OF 2	DWG NO FLBC-XXEGFS-XCP-XXX	CHECKED BY Jerry
	REV. D	WC-REV. .0	QC: Inspection item	CUSTOMER ALTW	APPROVED BY Fred	DATE 2021-09-06	