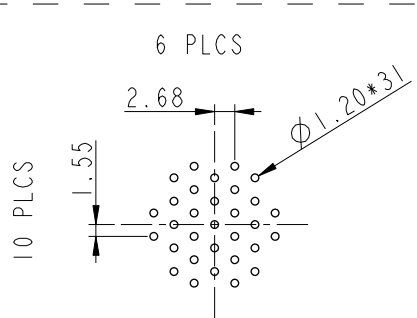
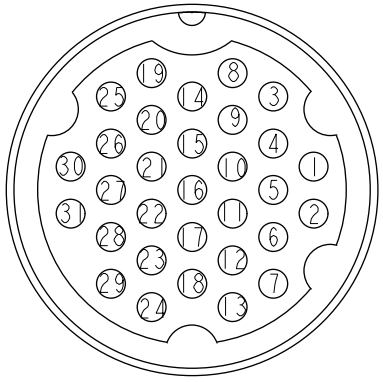
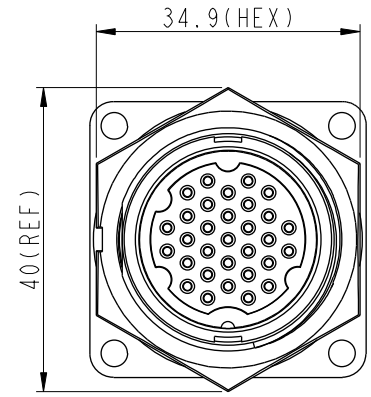
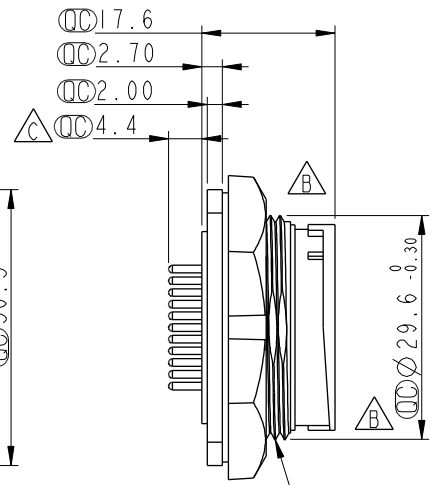
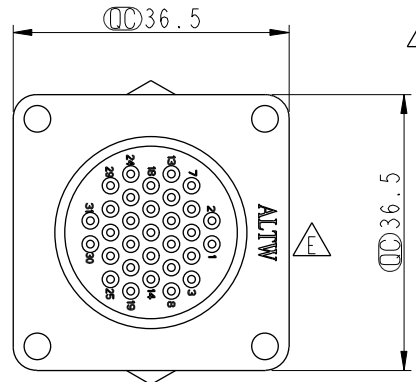


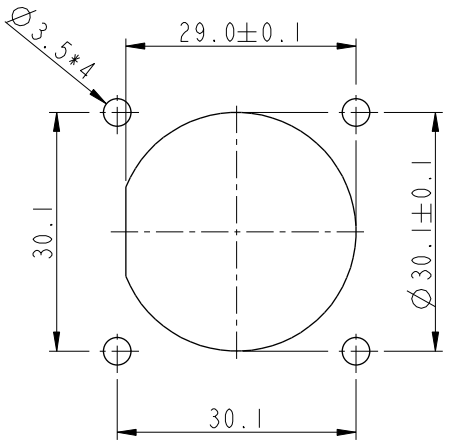
REV.	ECN NO.	DATE	SIGN	DESCRIPTION
D	LEN-890121	2008/09/25	Ivan	Add notes
E	LEN14B0150	2014/11/06	Ruru	Change Logo LTW To ALTW
F	CI90314	2019/03/12	Ruru	Modify Note



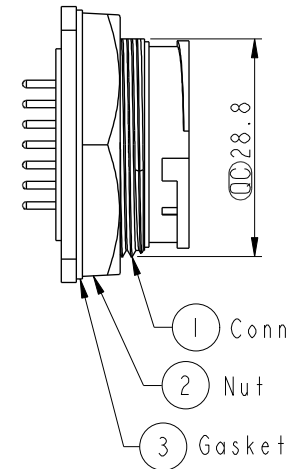
31 Pin Male Connector  
Female Pin PCB Layout



Pin Assignments  
Front View



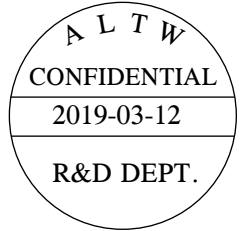
Recommended  
Panel Cut-Out



- 1 Connector
- 2 Nut
- 3 Gasket

Note:  $\triangle F$

- \*  $\text{CC}$  Important Dimension.
- \* Waterproof Rate: IP67, Unmated
- \* Housing: Thermoplastic, Black
- \* Pin: Copper Alloy, Gold Plated
- \* Nut: Thermoplastic, Black
- \* Gasket: Rubber, Black
- \* Use with waterproof cap or dust cap  
Panel Thickness Max: 2.5mm
- \* Use without waterproof cap or dust cap  
Panel Thickness Max: 3.5mm
- \* Gasket and Nut are packed separately  
in PE bags.



UNIT:mm	$\text{CC}$	$\text{CC}$
TOLERANCE		
.X	$\pm 0.25$	
.XX	$\pm 0.1$	
.XXX	$\pm 0.05$	
ANGLES	$\pm 1^\circ$	

TITLE Panel Lock 31Pin M Conn F Pin			
SCALE 1:1	SIZE A4	SHEET 1 OF 1	
REV. F	WC-REV. A.2	$\text{CC}$ : Inspection item	

**Amphenol LTW**  
安費諾亮泰企業股份有限公司

ITEM NO ED-31PMFP-LS7001	DRAWN BY Ruru	DATE 2019-03-12
DWG NO ED-31PMFP-LS7001	CHECKED BY Rita	DATE 2019-03-12
CUSTOMER ALTW	APPROVED BY Max	DATE 2019-03-12

THIS DOCUMENT IS SUBJECT TO CHANGE WITHOUT NOTICE. IT IS CONFIDENTIAL AND A PROPERTY OF Amphenol LTW. DISCLOSURE TO THIRD PARTY HAS TO BE AUTHORIZED BY Amphenol LTW.