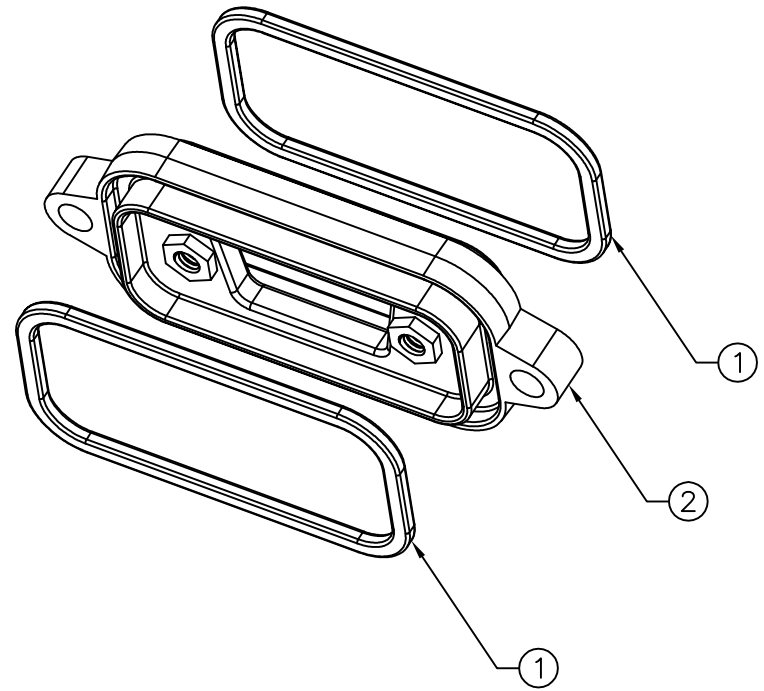
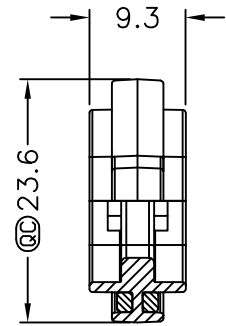
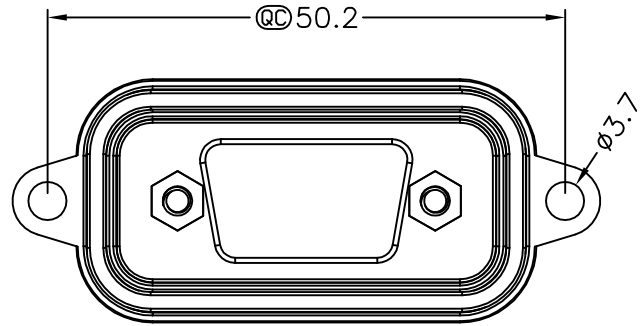


5	6	7	8
REV. A	ECN NO.	DATE 2006/04/24	SIGN DAVID
			DESCRIPTION Released Rev.A

ALTW
DCC. DEPT.
CONFIDENTIAL
2006.04.28
ISSUED



ALTW
CONFIDENTIAL
2006.04.24
R&D DEPT.

- Note:
- * @C Important Dimension To Check.
 - * DJ1 Joint: Black, Nylon+GF
 - * Gasket: Black, EPDM
 - * INSERT SCREW: COPPER ALLOY, NI PLATED
 - * Waterproof Rate: IP67

UNIT:mm		TITLE DJ1-Joing Assembly	Amphenol LTW 安費諾亮泰企業股份有限公司		ITEM NO DJ1-00JNNA-SL7001	DRAWN BY DAVID SHIH	DATE 2006/04/24
TOLERANCE .X ±0.25 .XX ±0.1 .XXX ±0.05 ANGLES ±1°	SCALE Free	SHEET 1 OF 1			DWG NO DJ1-00JNNA-SL7001	CHECKED BY SIMON HUNG	DATE 2006/04/24
	REV. A	SIZE A4	@C :Inspection Item		CUSTOMER ALTW	APPROVED BY Calvin	DATE 2006/04/24

THIS DOCUMENT IS SUBJECT TO CHANGE WITHOUT NOTICE. IT IS CONFIDENTIAL AND A PROPERTY OF Amphenol LTW. DISCLOSURE TO THIRD PARTY HAS TO BE AUTHORIZED BY Amphenol LTW.