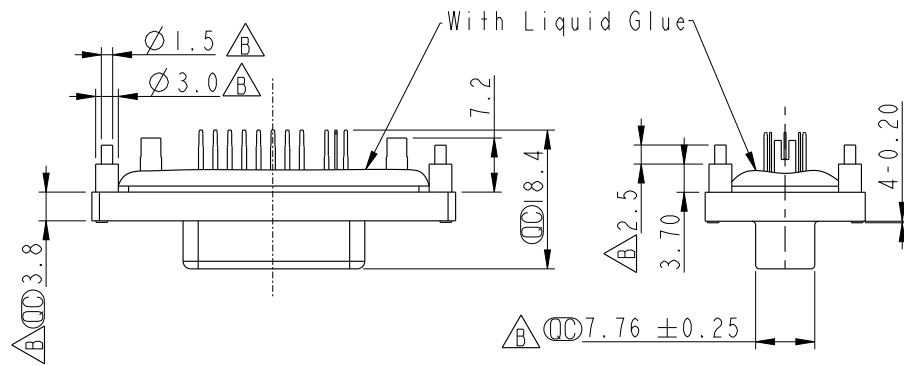
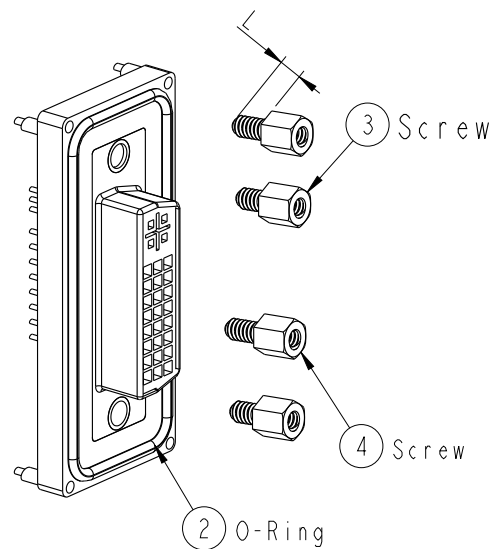
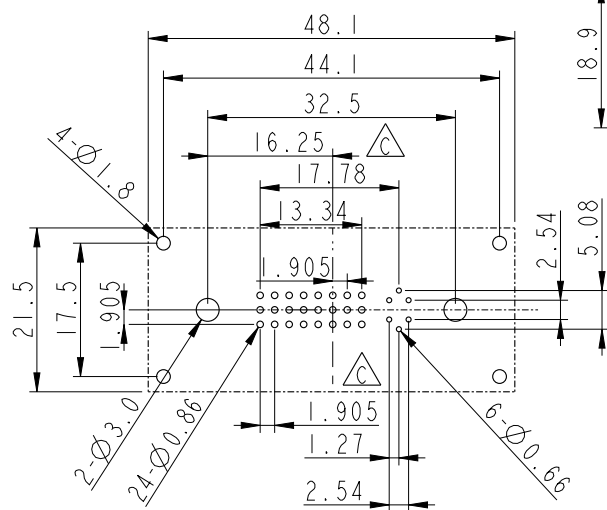
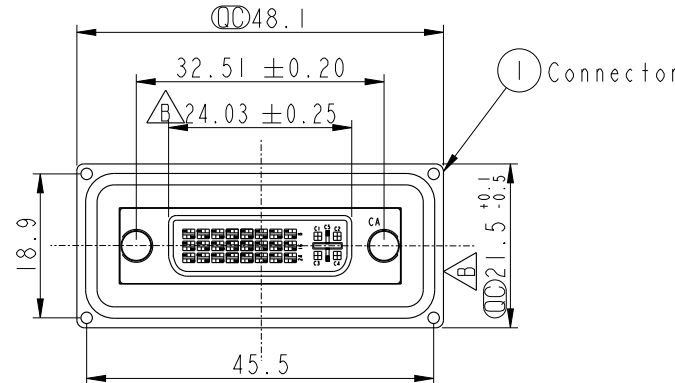


| REV. | ECN NO. | DATE | SIGN | DESCRIPTION |
|------|-----------------|------------|----------|------------------------|
| A | Initial Release | 2016-10-24 | Joyy | Change Rev.01 To Rev.A |
| B | C210385 | 2021-03-21 | Xiaofeng | $\triangle B$ X7 |
| C | C231113 | 2023-08-29 | Wenxiang | $\triangle C$ X2 |

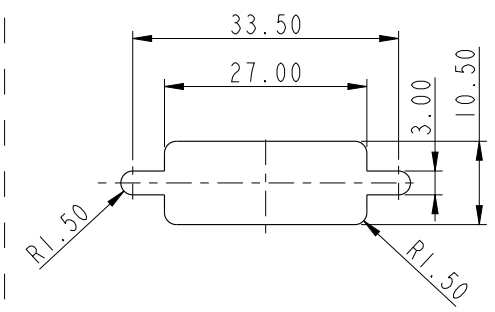


- ③ Screw L=5.0 For Panel Thickness Under 1.2mm
適用板厚為 1.2mm 以下
- ④ Screw L=6.0 For Panel Thickness Between 1.2~2.0mm
適用板厚為 1.2~2.0mm



Note:

- * ϕ Important Dimension.
- * Waterproof Rate: IP68
- * DVI Conn.: Nylon66, Black Core
- * Plastic Jacket: Nylon+GF, Black
- * Pin: Copper Alloy, Gold Plated
- * O-Ring: Silicone, Black
- * Screw: Copper Alloy, Nickel Plated, #4-40 UNC
- * For PCB Thickness: Max=2.0mm



Recommended Panel Cut-Out
建議挖孔尺寸

| | | | | | | | | | | | | |
|---|--|-------------------------------------|--|--|------------------------------|--|-----------------------------|--|----------------------|--|--------------------|--|
| UNIT: mm | | TITLE Female DVI Connector(24+5) | | | ITEM NO DID-29PFFP-SL8001 | | DRAWN BY Joyy | | DATE 2016-10-24 | | | |
| | | SCALE 1:1 | | | SIZE A4 | | DWG NO DID-29PFFP-SL8001 | | CHECKED BY Ma Fei | | DATE 2016-10-24 | |
| TOLERANCE .X ±0.25 .XX ±0.1 .XXX ±0.05 ANGLES ±1° | | REV. C | | | WC-REV. .0 | | CUSTOMER ALTW | | APPROVED BY Jerry | | DATE 2016-10-24 | |

Amphenol LTW
安費諾亮泰企業股份有限公司

THIS DOCUMENT IS SUBJECT TO CHANGE WITHOUT NOTICE. IT IS CONFIDENTIAL AND A PROPERTY OF Amphenol LTW. DISCLOSURE TO THIRD PARTY HAS TO BE AUTHORIZED BY Amphenol LTW.