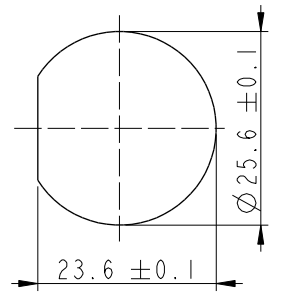


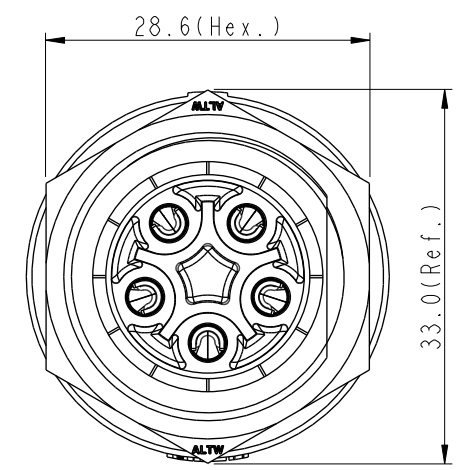
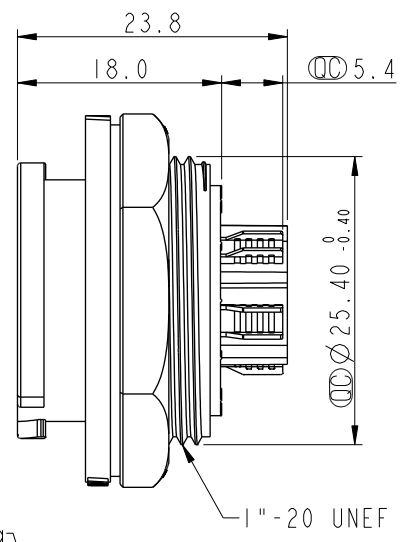
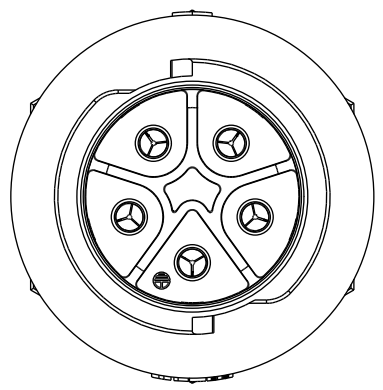
THIS DOCUMENT IS SUBJECT TO CHANGE WITHOUT NOTICE. IT IS CONFIDENTIAL AND A PROPERTY OF Amphenol LTW. DISCLOSURE TO THIRD PARTY HAS TO BE AUTHORIZED BY Amphenol LTW.

REV.	ECN NO.	DATE	SIGN	DESCRIPTION
B	C190403	2019/03/12	Vicky	Change Note
C	C220628	2022/05/11	Vicky	$\triangle C$ X4
D	C230119	2023/02/09	Vicky	$\triangle D$ XI

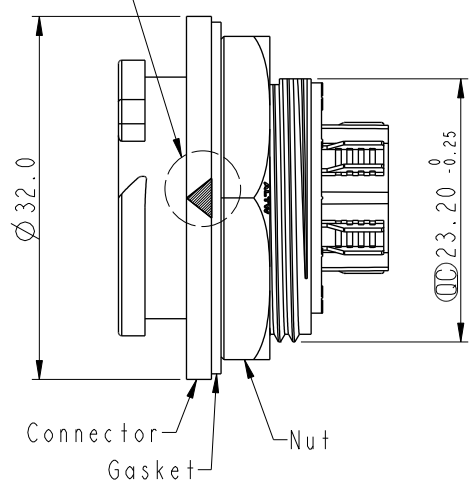


Recommended Panel Cut-Out

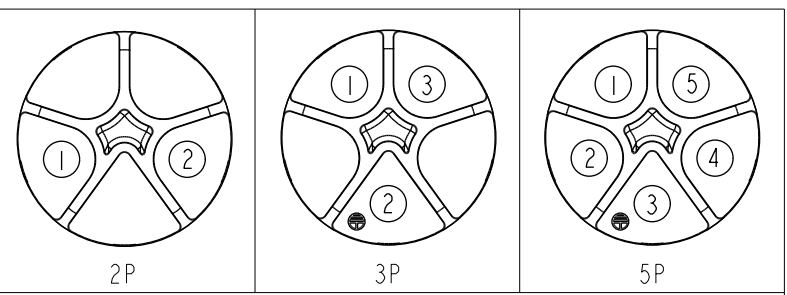
$\triangle C$ DC-XXRMS-QC800P
XX: No. Of Pin



CC White Printing



$\triangle B \triangle C$
Note:
 * RoHS Compliant
 * CC Important dimension
 * Waterproof rate: IP68, unmated 1m/24h
 * Connector
 Housing: Thermoplastic, Black
 Pin: Copper Alloy, Gold plated
 * Nut: Thermoplastic, Black
 * Gasket: Rubber, Gray
 * For panel thickness max: 3.6mm
 * Gasket and nut are packed separately in pe bag



Pin Assignments Front View

UNIT: mm		TITLE XLOK, D-20A, REAR FASTENED M, M, SOLDER, PUSH LOCK
TOLERANCE .X ±0.25 .XX ±0.1 .XXX ±0.05 ANGLES ±1°		SCALE 3:2 SIZE A4 SHEET 1 OF 1
REV. D	WC-REV. A.3	CC : Inspection item

Amphenol LTW
安費諾亮泰企業股份有限公司

ITEM NO	DRAWN BY Vicky	DATE 2019-03-12
DWG NO $\triangle C$ DC-XXRMS-QC800P	CHECKED BY Rita	DATE 2019-03-12
CUSTOMER ALTW	APPROVED BY Max	DATE 2019-03-12