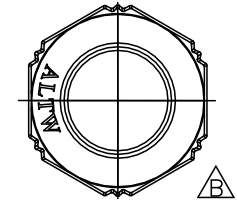
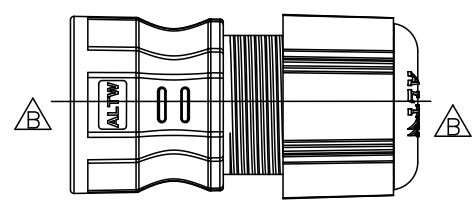
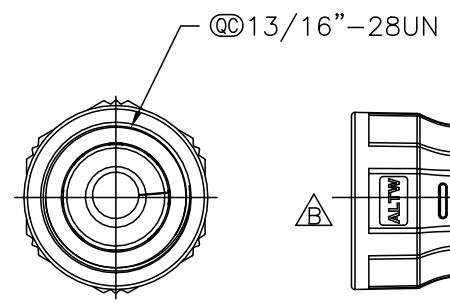
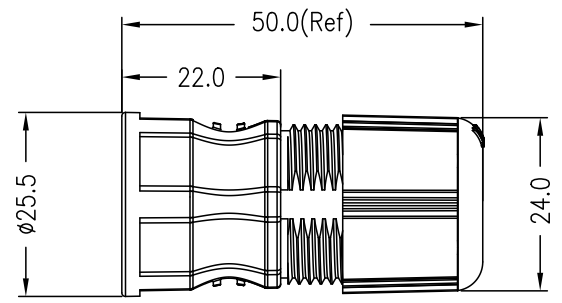
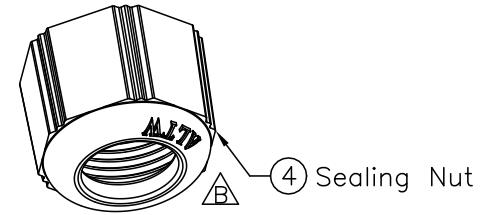
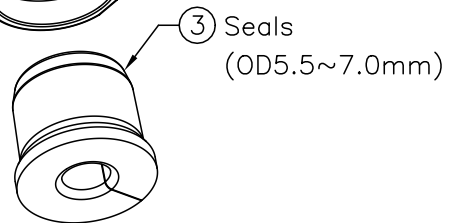
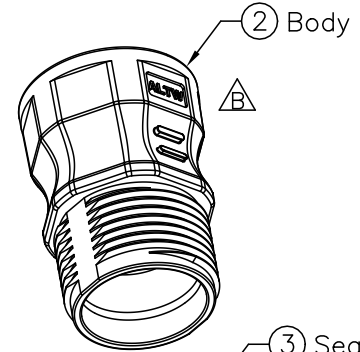
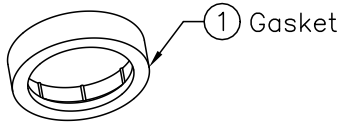


REV.	ECN NO.	DATE	SIGN	DESCRIPTION
B	C180633	2019/01/04	Jeff	Change Logo
C	C201021	2020/07/09	Wesley Lin	△C *1
D	C202019	2020/12/21	Wesley Lin	△D *1



- △△C Note:
- * @C Important Dimension.
 - * Waterproof Rate: IP67.
 - * Cable OD: $\phi 5.5 \sim \phi 7.0$ mm.
 - * Gasket: Silicone, Gray.
 - * Seals: Silicone, Gray.
 - * Body & Sealing Nut: ZDC-3, Silver.
 - * ④ 零件只需鎖 2~3 牙

UNIT:mm		TITLE	13/16"-28UN Ass'y Metal (After Plug In)OD 5.5~7.0mm		Amphenol LTW	ITEM NO	CSG-CSP004	DRAWN BY	Jeff	DATE	2019/01/04
TOLERANCE	±0.5mm	SCALE	Free	SHEET	1 OF 1	DWG NO	CSG-CSP004	CHECKED BY	Neo	DATE	2019/01/04
REV.	D	SIZE	A4	@C : Inspection Item		CUSTOMER	ALTW	APPROVED BY	Max	DATE	2019/01/04
				安費諾亮泰企業股份有限公司						8 W10814-03-表號01A2	

THIS DOCUMENT IS SUBJECT TO CHANGE WITHOUT NOTICE. IT IS CONFIDENTIAL AND A PROPERTY OF Amphenol LTW. DISCLOSURE TO THIRD PARTY HAS TO BE AUTHORIZED BY Amphenol LTW.