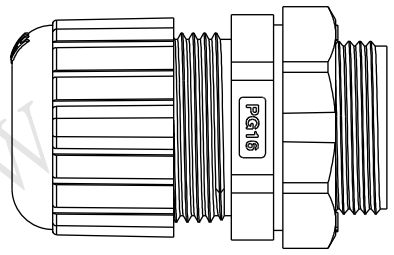
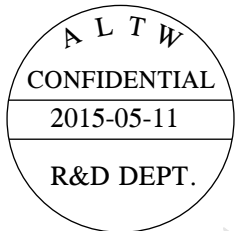
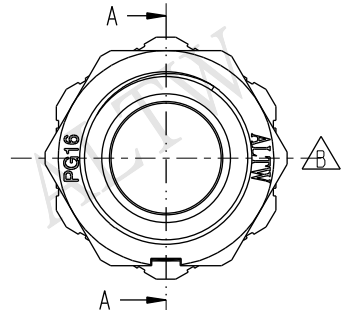
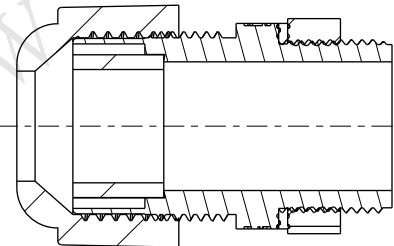
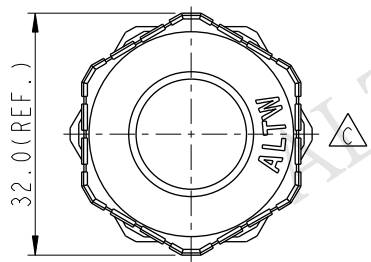
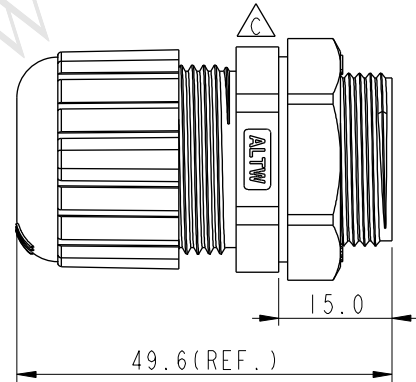
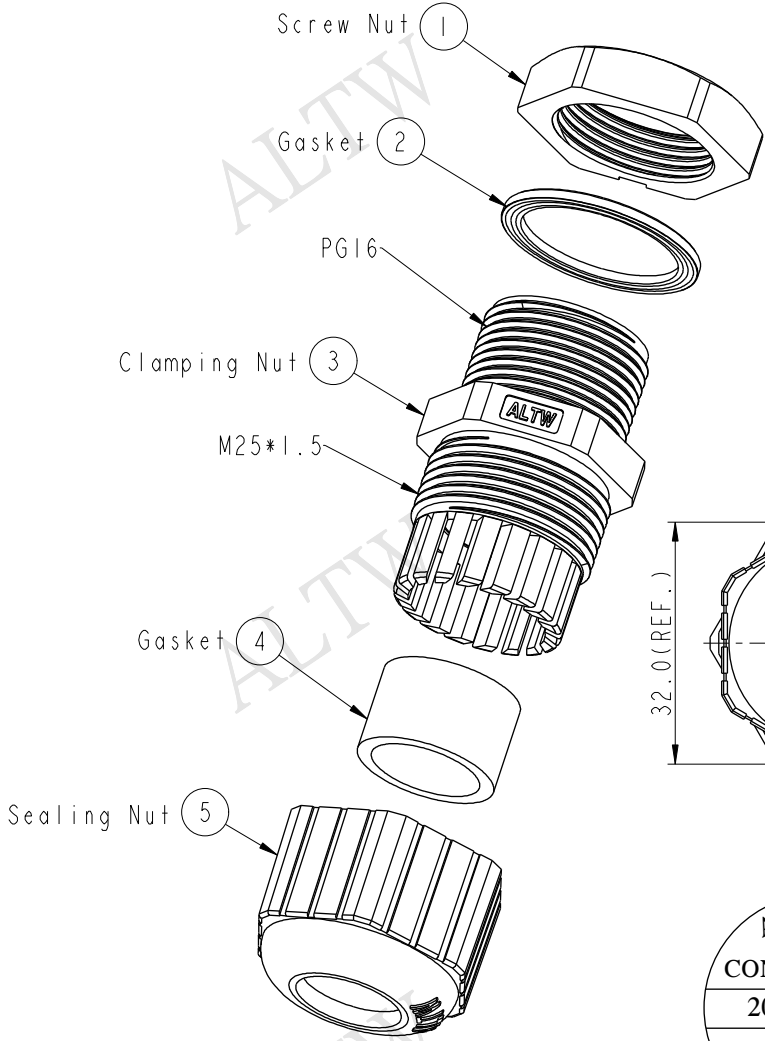


REV.	ECN NO.	DATE	SIGN	DESCRIPTION
B	LEN14C0286	2014/12/03	Ruru	Change Nut Logo
C	LEN1560088	2015/05/11	Ruru	Change Logo



Note:

- * Waterproof Rate: IP68
- * Screw Nut: Nylon, Black
- * Clamp Ring: Nylon, Black
- * Sealing Nut: Nylon, Black
- * Gasket: EPDM, Black
- * Seals: EPDM, Black
- * Cable Range: $\varnothing 10.0 \sim \varnothing 14.0 \text{mm}$
- * For Panel Thickness: 6.0mm max
- * Spanner Size:
 - Body: 27.2mm
 - Sealing Nut: 29.0mm
 - Screw Nut: 28.5mm

UNIT: mm		
TOLERANCE	.X	± 0.25
	.XX	± 0.1
	.XXX	± 0.05
ANGLES		$\pm 1^\circ$

TITLE Cable Gland for PGI6, Black (Long)			
SCALE 1:1	SIZE A4	SHEET 1 OF 1	
REV. C	WC-REV. A.1	QC: Inspection item	

Amphenol LTW
安費諾亮泰企業股份有限公司

ITEM NO. CSG-16G001	DRAWN BY Ruru	DATE 2015-05-11
DWG NO. CSG-16G001	CHECKED BY Rita	DATE 2015-05-11
CUSTOMER ALTW	APPROVED BY Lion	DATE 2015-05-11

THIS DOCUMENT IS SUBJECT TO CHANGE WITHOUT NOTICE. IT IS CONFIDENTIAL AND A PROPERTY OF Amphenol LTW. DISCLOSURE TO THIRD PARTY HAS TO BE AUTHORIZED BY Amphenol LTW.