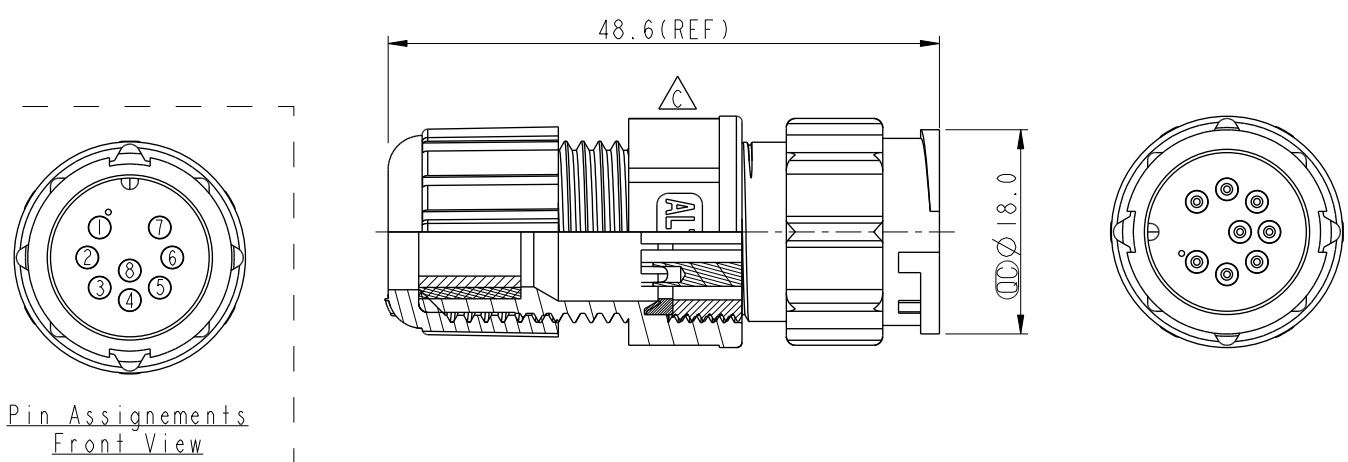
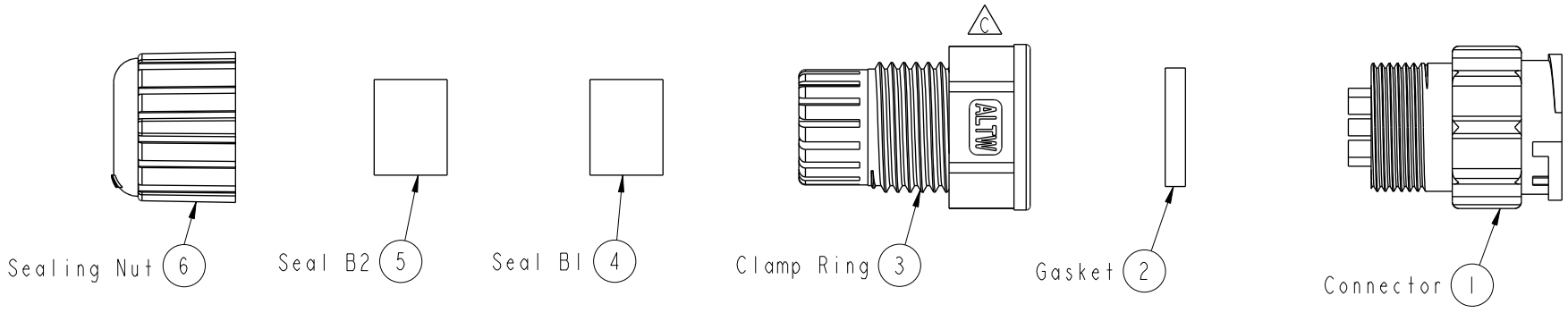


THIS DOCUMENT IS SUBJECT TO CHANGE WITHOUT NOTICE. IT IS CONFIDENTIAL AND A PROPERTY OF Amphenol LTW. DISCLOSURE TO THIRD PARTY HAS TO BE AUTHORIZED BY Amphenol LTW.

REV.	ECN NO.	DATE	SIGN	DESCRIPTION
B	LEN1310097	2013/01/29	Vicky	Update Title.
C	LEN1741320	2017/04/24	Ruru	Change Logo
D	C231272	2023/10/03	Vicky	\triangle X2



- Note:
- * $\text{\textcircled{OC}}$ Important Dimension To Check.
 - * Waterproof Rate: IP67
 - * Housing: Nylon+GF, Black
 - * Male Pin: Copper Alloy, Gold Plated
 - * Gasket: Silicon, Black
 - * Clamp Ring: Nylon, Black
 - * Sealing Nut: Nylon, Black
 - * Seal: EPDM, Black
 - * Seal B1 for Cable OD: $\varnothing 7.6\text{mm} \sim \varnothing 9.6\text{mm}$
 - * Seal B2 for Cable OD: $\varnothing 4.0\text{mm} \sim \varnothing 7.6\text{mm}$
 - * \triangle One set unassembled in one pe bag

UNIT:mm TOLERANCE .X ± 0.25 .XX ± 0.1 .XXX ± 0.05 ANGLES $\pm 1^\circ$	 TITLE O CERES, C-5A, 08P, CABLE W/O SR M, M, FI SOLDER, 2LOCK \triangle \triangle	<h1 style="text-align: center;">Amphenol LTW</h1> <h2 style="text-align: center;">安費諾亮泰企業股份有限公司</h2>		ITEM NO	CD-08BMMA-LL7001	DRAWN BY	Ruru	DATE	2017-04-24
				DWG NO	CD-08BMMA-LL7001	CHECKED BY	Rita	DATE	2017-04-24
				CUSTOMER	ALTW	APPROVED BY	Max	DATE	2017-04-24
				SCALE 1:1		SIZE A4	SHEET 1 OF 1	REV. D	