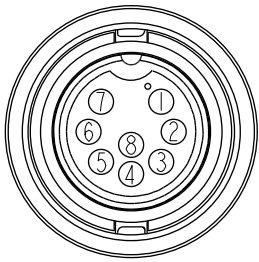
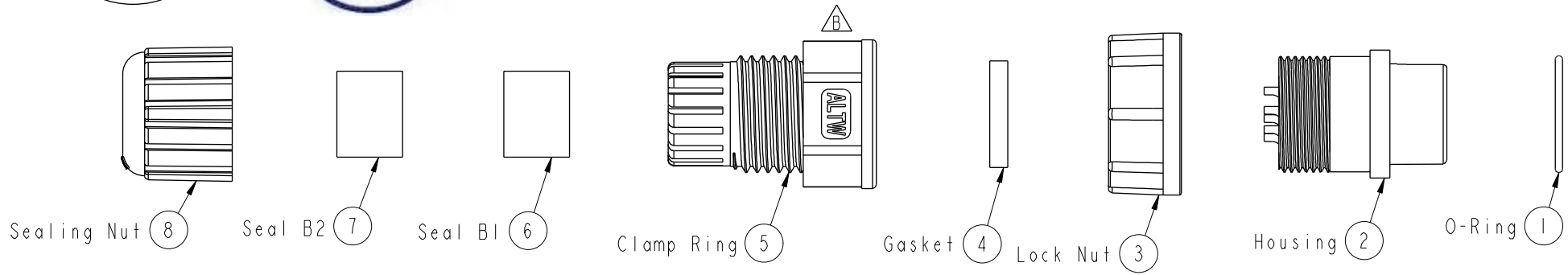
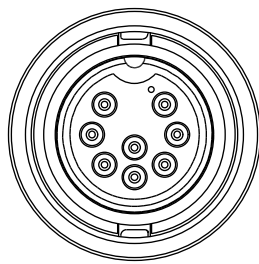
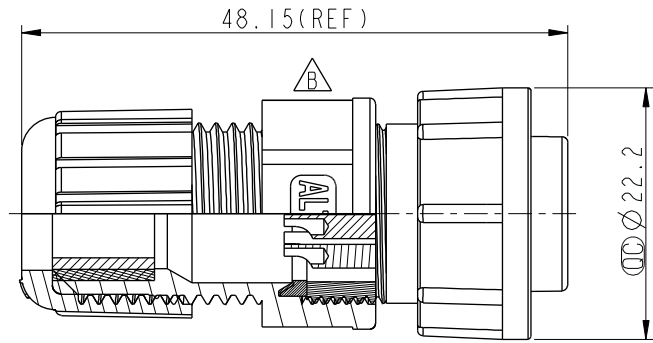


REV.	ECN NO.	DATE	SIGN	DESCRIPTION
B	LEN1741318	2017/04/24	Ruru	Change Logo



Pin Assignments  
Front View



Notes:

- \*  $\varnothing$  Important Dimensions To Check.
- \* Waterproof Rate: IP67
- \* Housing: Nylon+GF, Black
- \* Male Pin: Copper Alloy, Gold Plated
- \* O-Ring: EPDM, Black
- \* Lock Nut: Nylon+GF, Black
- \* Gasket: EPDM, Black
- \* Clamp Ring: Nylon, Black
- \* Sealing Nut: Nylon, Black
- \* Seals B1 for Cable OD:  $\varnothing 7.6\text{mm} \sim \varnothing 9.6\text{mm}$
- \* Seals B2 for Cable OD:  $\varnothing 4.0\text{mm} \sim \varnothing 7.6\text{mm}$
- \* One Set Unassembled in One PE Bag.

UNIT:mm		
TOLERANCE	.X $\pm 0.25$	
	.XX $\pm 0.1$	
	.XXX $\pm 0.05$	
ANGLES	$\pm 1^\circ$	

TITLE Middle, Assy Lock 8Pin F Conn M Pin			
SCALE 1:1	SIZE A4	SHEET 1 OF 1	
REV. B	WC-REV. A.2	$\varnothing$ : Inspection item	

**Amphenol LTW**  
安費諾亮泰企業股份有限公司

ITEM NO CD-08BFMA-LL7001	DRAWN BY Ruru	DATE 2017-04-24
DWG NO CD-08BFMA-LL7001	CHECKED BY Rita	DATE 2017-04-24
CUSTOMER ALTW	APPROVED BY Max	DATE 2017-04-24

THIS DOCUMENT IS SUBJECT TO CHANGE WITHOUT NOTICE. IT IS CONFIDENTIAL AND A PROPERTY OF Amphenol LTW. DISCLOSURE TO THIRD PARTY HAS TO BE AUTHORIZED BY Amphenol LTW.