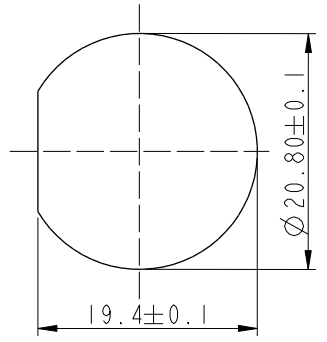


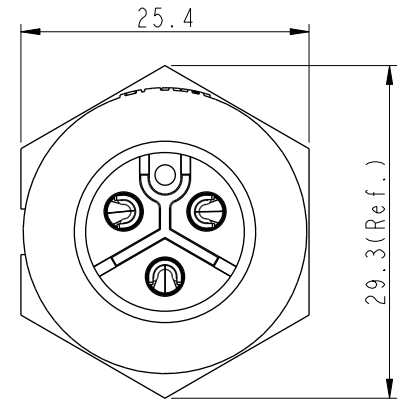
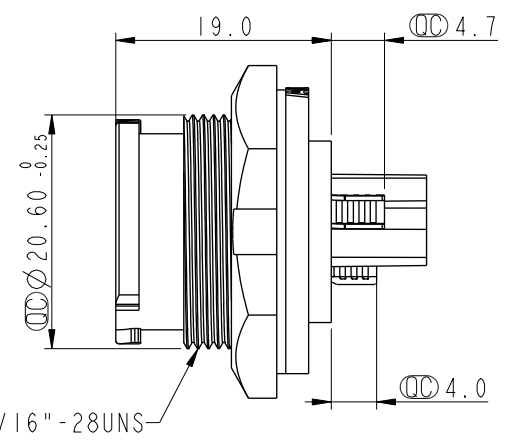
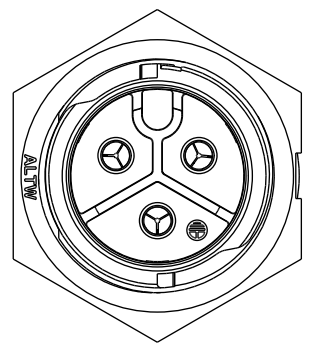
THIS DOCUMENT IS SUBJECT TO CHANGE WITHOUT NOTICE. IT IS CONFIDENTIAL AND A PROPERTY OF AMPHENOL LTW. DISCLOSURE TO THIRD PARTY HAS TO BE AUTHORIZED BY AMPHENOL LTW.

REV.	ECN NO.	DATE	SIGN	DESCRIPTION
B	C190470	2019/03/20	Vicky	Change Note
C	C220628	2022/05/09	Vicky	△C X5
D	C230087	2023/01/31	Vicky	△D XI

△C CC-XXPMMS-QC800P
 XX: No. Of Pin

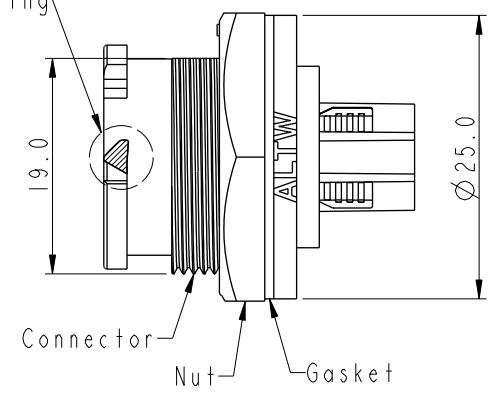


Recommended Panel Cut-Out

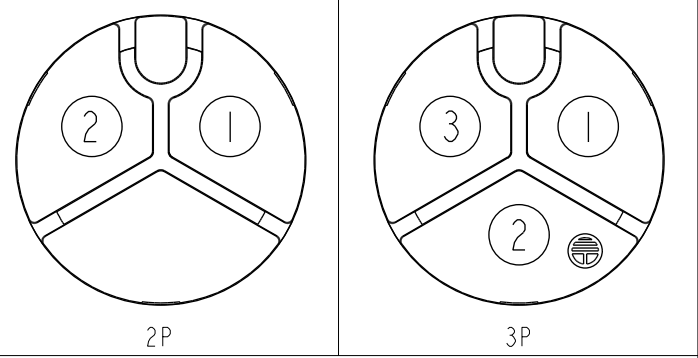


△C	Item No.	A	B
	CC-02PMMS-QC800P	4.7	
	CC-03PMMS-QC800P	4.7	4.0

⊘ White Printing



- Note:
- * RoHS Compliant
 - * ⊘ Important dimension
 - * Waterproof rate: IP68, unmated 1m/24h
 - * Connector Housing: Thermoplastic, Black
 - * Pin: Copper Alloy, Gold plated
 - * Nut: Thermoplastic, Black
 - * Gasket: Rubber, Gray
 - * Use with waterproof cap or dust cap
 - * Panel thickness max: 3.0mm
 - * Use without waterproof cap or dust cap
 - * Panel thickness max: 4.2mm
 - * Gasket and nut are packed separately in pe bag



Pin Assignments Front View

UNIT: mm		TITLE XLOK, C-20A, FRONT FASTENED M, M, SOLDER, PUSH LOCK
TOLERANCE .X ±0.25 .XX ±0.1 .XXX ±0.05 ANGLES ±1°	SCALE 3:2	SIZE A4
	REV. D	SHEET 1 OF 1
	WC-REV. A.4	⊘ Inspection item

Amphenol LTW
 安費諾亮泰企業股份有限公司

ITEM NO.	DRAWN BY Vicky	DATE 2019-03-20
DWG NO. △C CC-XXPMMS-QC800P	CHECKED BY Rita	DATE 2019-03-20
CUSTOMER ALTW	APPROVED BY Max	DATE 2019-03-20