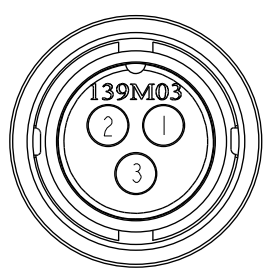
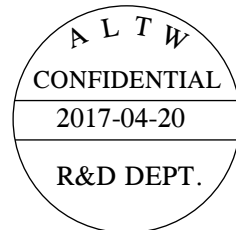
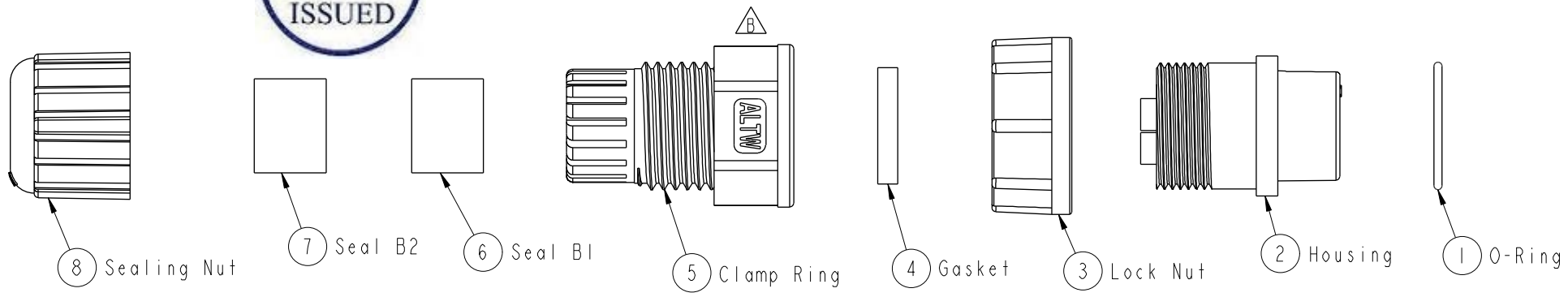
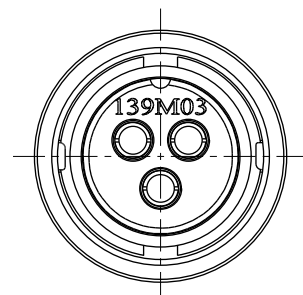
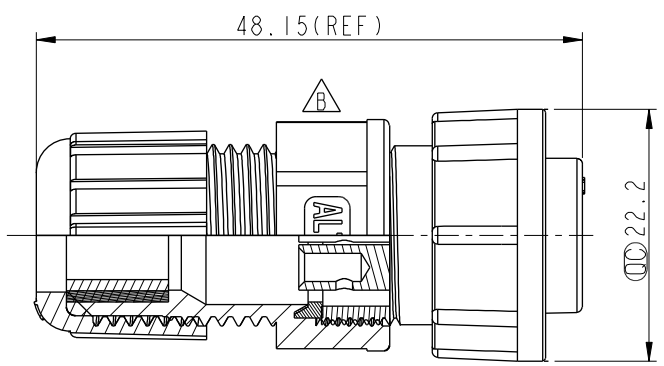


THIS DOCUMENT IS SUBJECT TO CHANGE WITHOUT NOTICE. IT IS CONFIDENTIAL AND A PROPERTY OF Amphenol LTW. DISCLOSURE TO THIRD PARTY HAS TO BE AUTHORIZED BY Amphenol LTW.

REV.	ECN NO.	DATE	SIGN	DESCRIPTION
B	LEN1741312	2017/04/20	Ruru	Change Logo



Pin Assignments  
Front View



Conn.

Note:

- \*  $\varnothing$  Important Dimension To Check.
- \* Waterproof Rate: IP67
- \* Connector: Black, Nylon+GF
- \* Female Pin: Copper Alloy, Gold Plated
- \* O-Ring: EPDM
- \* Lock Nut: Nylon+GF, Black
- \* Gasket: EPDM, Bk
- \* Clamp Ring: Nylon, Black
- \* Sealing Nut: Nylon, Black
- \* Seals B1 for Cable OD:  $\varnothing$ 7.6mm- $\varnothing$ 9.6mm
- \* Seals B2 for Cable OD:  $\varnothing$ 4.0mm- $\varnothing$ 7.6mm
- \* One Set Unassembled in One PE Bag

UNIT:mm  TOLERANCE .X ±0.25 .XX ±0.1 .XXX ±0.05 ANGLES ±1°	TITLE Middle Assy Lock 3Pin F Conn F Pin			<b>Amphenol LTW</b> 安費諾亮泰企業股份有限公司		ITEM NO	CC-03BFFA-LL7001	DRAWN BY	Ruru	DATE	2017-04-20			
	SCALE	1:1	SIZE			A4	SHEET	1	OF	1	DWG NO	CC-03BFFA-LL7001	CHECKED BY	Rita
	REV.	B	WC-REV.	A.2	Inspection item		CUSTOMER	ALTW	APPROVED BY	Max	DATE	2017-04-20		
	2017-04-20													