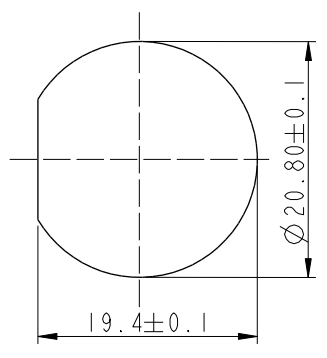


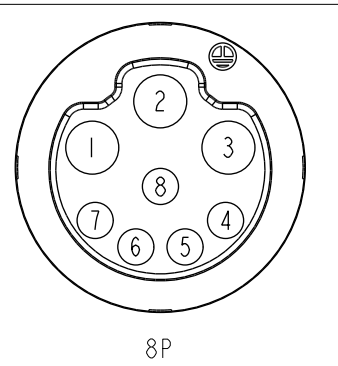
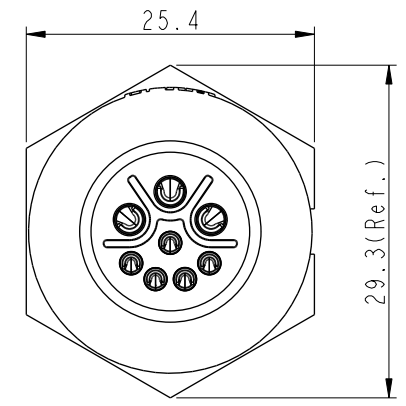
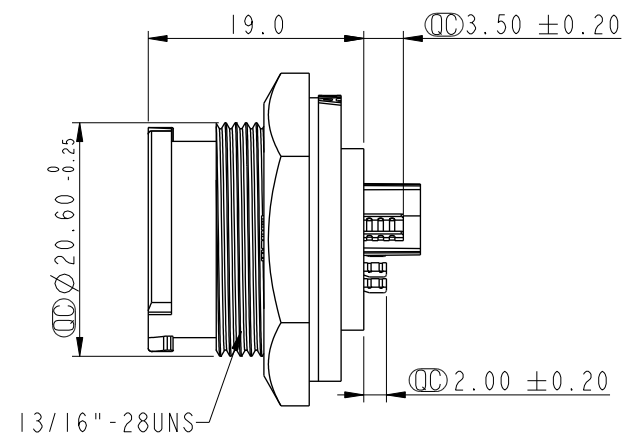
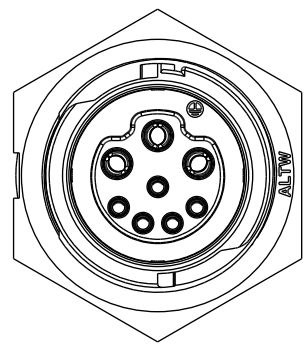
THIS DOCUMENT IS SUBJECT TO CHANGE WITHOUT NOTICE. IT IS CONFIDENTIAL AND A PROPERTY OF AMPHENOL LTW. DISCLOSURE TO THIRD PARTY HAS TO BE AUTHORIZED BY AMPHENOL LTW.

| REV. | ECN NO. | DATE | SIGN | DESCRIPTION |
|------|---------|------------|-------|------------------|
| B | C190470 | 2019/03/20 | Vicky | Change Note |
| C | C220628 | 2022/05/09 | Vicky | $\triangle C$ X4 |
| D | C230084 | 2023/01/30 | Vicky | $\triangle D$ XI |

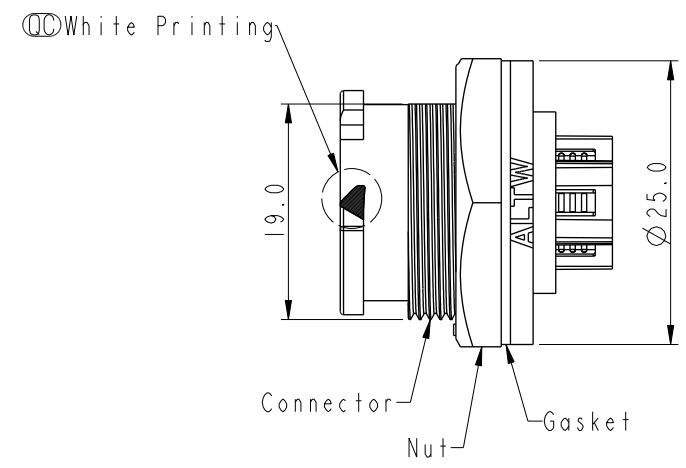
$\triangle C$ CBD-XXPMFS-QC8001
 XX: No. Of Pin



Recommended Panel Cut-Out



8P
Pin Assignments Front View



- $\triangle B$ $\triangle C$
 Note:
- * RoHS Compliant
 - * QC Important dimension
 - * $\triangle D$ Waterproof rate: IP68, unmated 1m/24h
 - * Connector
 - Housing: Thermoplastic, Black
 - Pin: Copper Alloy, Gold plated
 - * Nut: Thermoplastic, Black
 - * Gasket: Rubber, Gray
 - * Use with waterproof cap or dust cap
Panel thickness max: 3.0mm
 - * Use without waterproof cap or dust cap
Panel thickness max: 4.2mm
 - * Gasket and nut are packed separately in pe bag

| | |
|-----------|---------------|
| UNIT: mm | |
| TOLERANCE | ± 0.25 mm |

| | | | |
|--|----------------|-------------------------------|--|
| TITLE XLOK, C-10A+5A, FRONT FASTENED M, F, SOLDER, PUSH LOCK $\triangle C$ | | | |
| SCALE 3:2 | SIZE A4 | SHEET 1 OF 1 | |
| REV. D | WC-REV. A.3 | QC : Inspection item | |

Amphenol LTW
 安費諾亮泰企業股份有限公司

| | | |
|--|--------------------|--------------------|
| ITEM NO. | DRAWN BY Vicky | DATE 2019-03-20 |
| DWG NO. $\triangle C$ CBD-XXPMFS-QC8001 | CHECKED BY Rita | DATE 2019-03-20 |
| CUSTOMER ALTW | APPROVED BY Max | DATE 2019-03-20 |