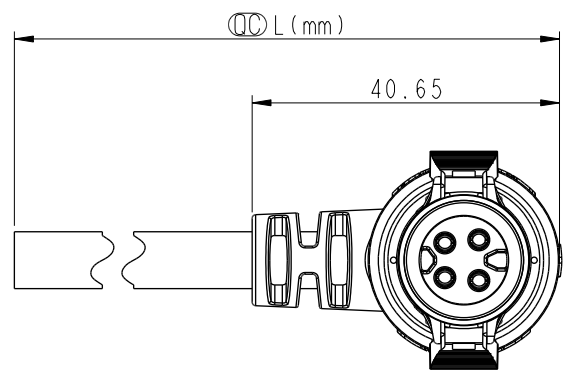
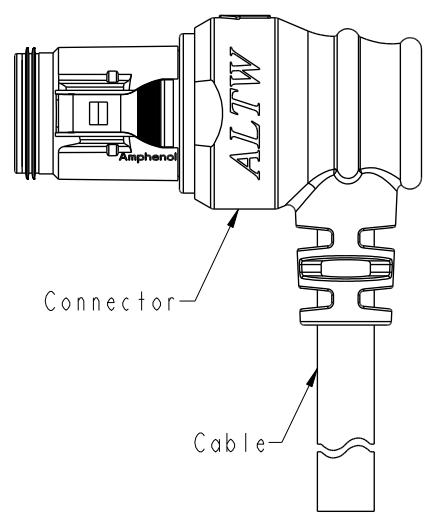
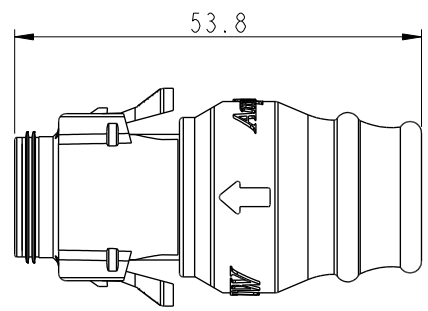


THIS DOCUMENT IS SUBJECT TO CHANGE WITHOUT NOTICE. IT IS CONFIDENTIAL AND A PROPERTY OF AMPHENOL LTW. DISCLOSURE TO THIRD PARTY HAS TO BE AUTHORIZED BY AMPHENOL LTW.

REV.	ECN NO.	DATE	SIGN	DESCRIPTION
B	LEN1580185~87	2015/08/10	Lu Di	Change To Common Drawing
C	LEN1680346 LEN1680354-55	2016/08/08	Mafei	Updated The Pin Out Color.
D	C230237	2023/02/22	Vicky	$\triangle$ X5



Conn.



- $\triangle$ Note:
- \* RoHS Compliant
  - \*  $\text{\textcircled{L}}$  Important dimension
  - \* Waterproof rate: IP67, mated
  - \* Connector
    - Housing: Thermoplastic, Black
    - Pin: Copper alloy, Gold plated
    - O-Ring: Rubber, Gray
    - Gasket: Rubber, Gray
    - Outer mold: Thermoplastic, Black
  - \* Cable: UL2464, PVC Jacket, Black
  - \* Cable length tolerance: 1M: +50/-0 mm
    - 1M < L  $\leq$  3M: +100/-0 mm
    - 3M < L  $\leq$  5M: +150/-0 mm
    - 5M < L  $\leq$  10M:  $\pm$ 100 mm
    - 10M < L  $\leq$  20M:  $\pm$ 200 mm
    - 20M < L  $\leq$  30M:  $\pm$ 300 mm
    - 30M < L  $\leq$  99M:  $\pm$ 500 mm

UNIT:mm		
TOLERANCE	$\pm 0.5$	

TITLE RBL, C-10A, CABLE W/SR M, F, MOLDING, RBL			$\triangle$
SCALE 1:1	SIZE A4	SHEET 1 OF 2	
REV. D	WC-REV. A.3	$\text{\textcircled{L}}$ : Inspection item	

**Amphenol LTW**  
安費諾亮泰企業股份有限公司

ITEM NO.	DRAWN BY Mafei	DATE 2016/08/08
DWG NO. CB-XXAMFM-RR7AXX	CHECKED BY Joyy	DATE 2016/08/08
CUSTOMER ALTW	APPROVED BY Jerry	DATE 2016/08/08

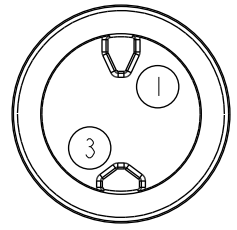
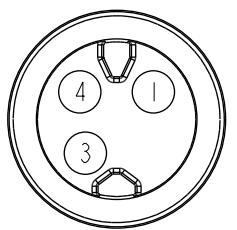
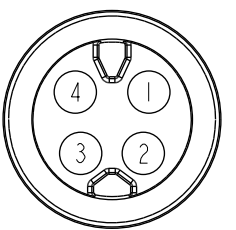
THIS DOCUMENT IS SUBJECT TO CHANGE WITHOUT NOTICE. IT IS CONFIDENTIAL AND A PROPERTY OF Amphenol LTW. DISCLOSURE TO THIRD PARTY HAS TO BE AUTHORIZED BY Amphenol LTW.

	4P	7.5	16	CB-04AMFM-RR7AXX
	3P	7.5		CB-03AMFM-RR7AXX
	2P	7.8		CB-02AMFM-RR7AXX
$\triangle D$	Contacts	Cable OD	AWG	Item No.

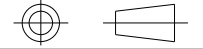
$\triangle D$  CB-XXAMFM-RR7AXX

XX: No. Of Pin

XX: 01~99Meters  
 01: 01Meter  
 02: 02Meters  
 .  
 99: 99Meters

C	Pin Out	4 -- 3 Red 紅 2 -- 1 Black 黑	4 Green 綠 3 $\triangle C$ White 白 2 -- 1 Black 黑	4 Orange 橙 3 Red 紅 2 Brown 棕 1 Black 黑
	Conn.			

Pin Assignments Front View

UNIT:mm		TITLE	$\triangle D$
TOLERANCE	±0.5	RBL, C-10A, CABLE W/SR M, F, MOLDING, RBL	
SCALE	1:1	SIZE	A4
REV.	D	WC-REV.	A.3
		SHEET	2 OF 2
		$\text{CC}$ : Inspection item	

**Amphenol LTW**  
 安費諾亮泰企業股份有限公司

ITEM NO	DRAWN BY	DATE
DWG NO	CHECKED BY	DATE
CUSTOMER	APPROVED BY	DATE
ALTW	Mafei Joyy Jerry	2016/08/08 2016/08/08 2016/08/08