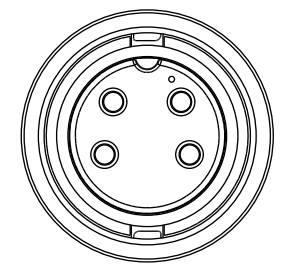
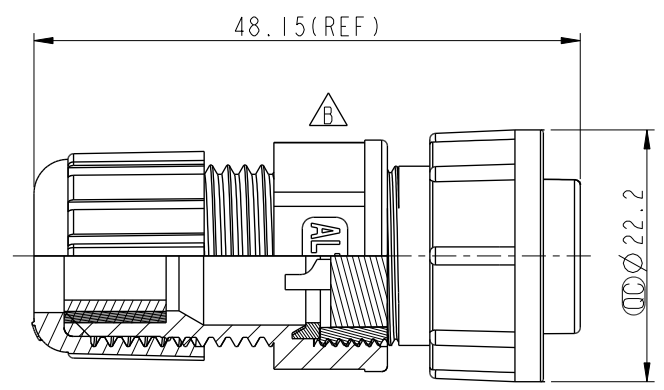
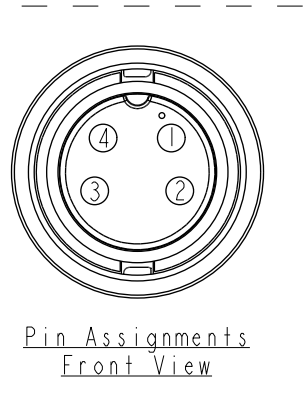
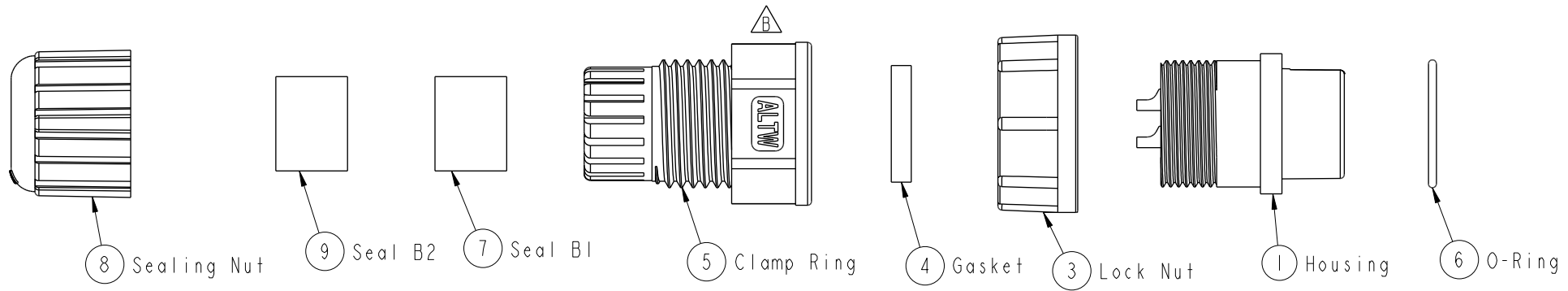


THIS DOCUMENT IS SUBJECT TO CHANGE WITHOUT NOTICE. IT IS CONFIDENTIAL AND A PROPERTY OF AMPHENOL LTW. DISCLOSURE TO THIRD PARTY HAS TO BE AUTHORIZED BY AMPHENOL LTW.

REV.	ECN NO.	DATE	SIGN	DESCRIPTION
B	LEN1741304	2017/04/20	Ruru	Change Logo



- Note:
- \*  $\varnothing$  Important Dimension To Check.
  - \* Waterproof Rate: IP67
  - \* Housing: Nylon+GF, Black
  - \* Female Pin: Copper Alloy, Gold Plated
  - \* O-Ring: EPDM, Black
  - \* Lock Nut: Nylon+GF, Black
  - \* Gasket: EPDM, Black
  - \* Clamp Ring: Nylon, Black
  - \* Sealing Nut: Nylon, Black
  - \* Seals B1 for Cable OD:  $\varnothing$ 7.6mm- $\varnothing$ 9.6mm
  - \* Seals B2 for Cable OD:  $\varnothing$ 4.0mm- $\varnothing$ 7.6mm
  - \* One Set Unassembled in One PE Bag

UNIT:mm			TITLE Middle, Assy Lock 4Pin F Conn F Pin			ITEM NO CB-04BFFA-LL7001	DRAWN BY Ruru	DATE 2017-04-20	
			TOLERANCE .X ±0.25 .XX ±0.1 .XXX ±0.05 ANGLES ±1°			SCALE 1:1	SIZE A4	SHEET 1	OF 1
REV. B			WC-REV. A.3	$\varnothing$ Inspection item	CUSTOMER ALTW			APPROVED BY Max	DATE 2017-04-20

**Amphenol LTW**  
安費諾亮泰企業股份有限公司