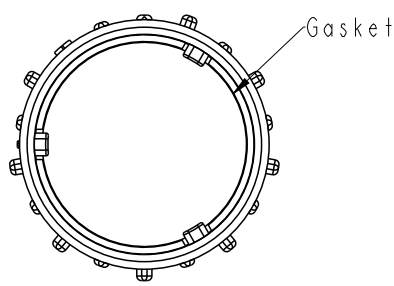
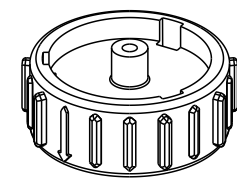
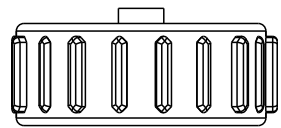
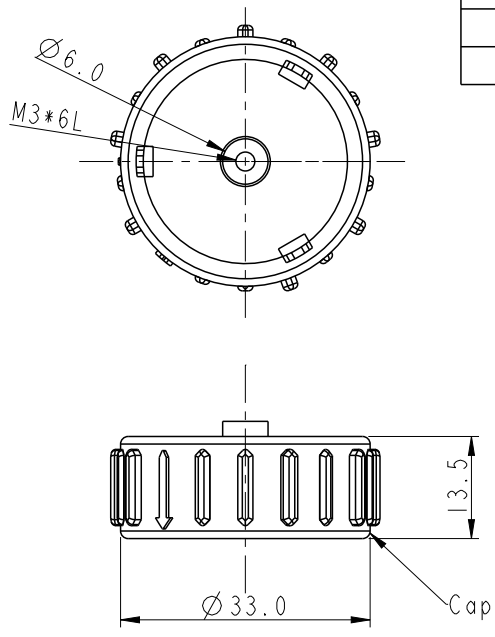


THIS DOCUMENT IS SUBJECT TO CHANGE WITHOUT NOTICE. IT IS CONFIDENTIAL AND A PROPERTY OF AMPHENOL LTW. DISCLOSURE TO THIRD PARTY HAS TO BE AUTHORIZED BY AMPHENOL LTW.

REV.	ECN NO.	DATE	SIGN	DESCRIPTION
A		2022/01/07	Cynthia	Change Ver.01 to Ver.A



- Note:
- * RoHS Compliant
 - * \varnothing Important Dimension
 - * Waterproof Rate: IPX7, Mated.
 - * Cap: Thermoplastic, Black.
 - * Gasket: Rubber, Gray.
 - * Use in PWL series

UNIT: mm		
TOLERANCE	±0.25	
.X	±0.1	
.XX	±0.05	
.XXX	±0.02	
ANGLES	±1°	

TITLE ACC, PWR, WP CAP 3LOCK, NONE			
SCALE 1:1	SIZE A4	SHEET 1 OF 1	
REV. A	WC-REV. .0	\varnothing : Inspection item	

Amphenol LTW
安費諾亮泰企業股份有限公司

ITEM NO. CAP-WPWTMAI	DRAWN BY Cynthia	DATE 2022/01/07
DWG NO. CAP-WPWTMAI	CHECKED BY Wen	DATE 2022/01/07
CUSTOMER ALTW	APPROVED BY Neo	DATE 2022/01/07