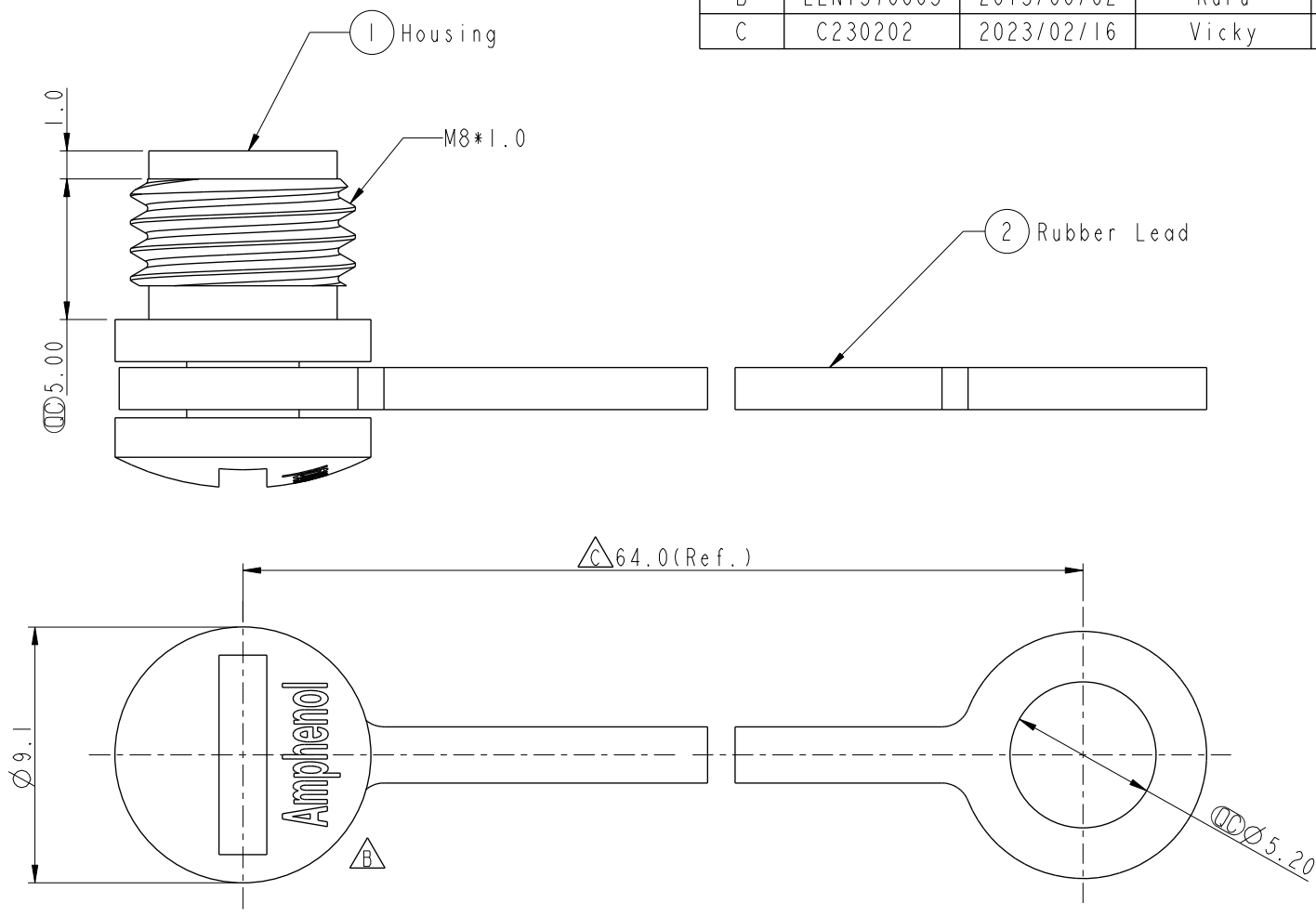


THIS DOCUMENT IS SUBJECT TO CHANGE WITHOUT NOTICE. IT IS CONFIDENTIAL AND A PROPERTY OF Amphenol LTW. DISCLOSURE TO THIRD PARTY HAS TO BE AUTHORIZED BY Amphenol LTW.

REV.	ECN NO.	DATE	SIGN	DESCRIPTION
A	Initial Release	2013/09/12	Vicky	Old Item No. CAP-W08CFSC1
B	LEN1570065	2015/06/02	Ruru	Change Logo
C	C230202	2023/02/16	Vicky	X2



Note:
 * Important Dimension
 * Waterproof Rate: IP67
 * Cap: PC+ABS, Black
 * Rubber Lead: Silicone, Black

UNIT: mm		
TOLERANCE		
.X	±0.25	
.XX	±0.1	
.XXX	±0.05	
ANGLES	±1°	

TITLE ACC, SEN, WP CAP SCREW, W/RB LEAD			
SCALE 4:1	SIZE A4	SHEET 1 OF 1	
REV. C	WC-REV. A.2	: Inspection item	

Amphenol LTW
 安費諾亮泰企業股份有限公司

ITEM NO. CAP-WBBFSPC1	DRAWN BY Ruru	DATE 2015-06-02
DWG NO. CAP-WBBFSPC1	CHECKED BY Rita	DATE 2015-06-02
CUSTOMER ALTW	APPROVED BY Lion	DATE 2015-06-02