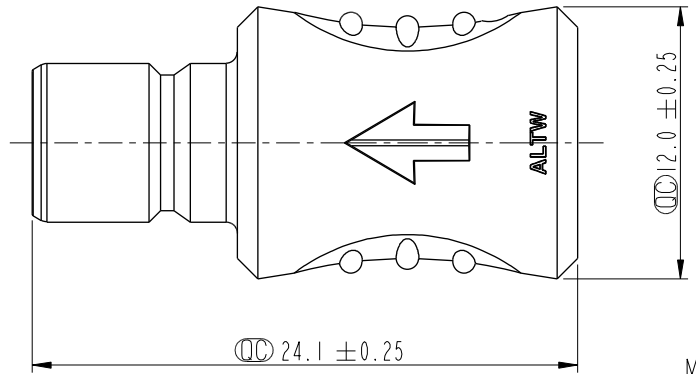
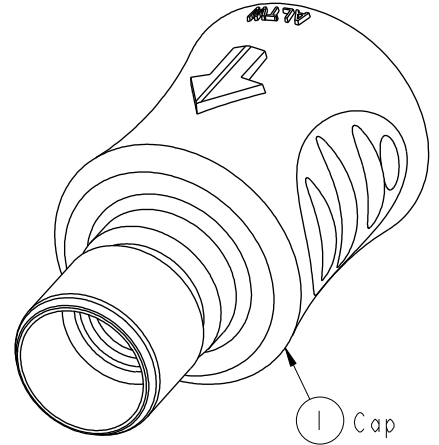
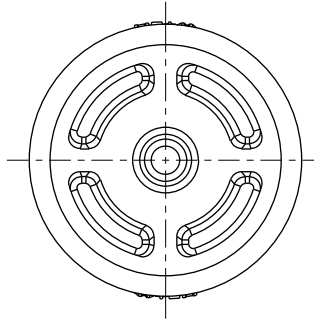
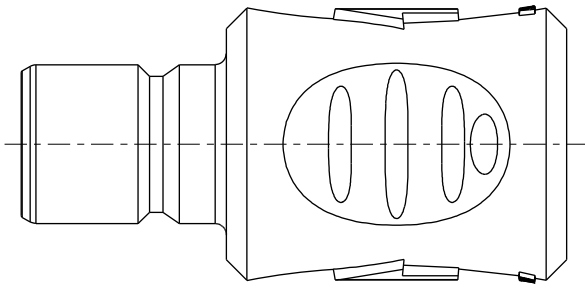
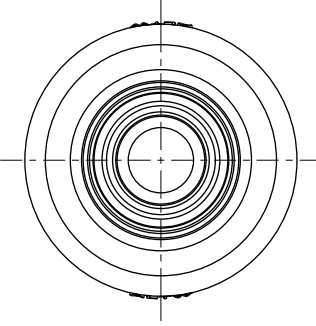


REV.	ECN NO.	DATE	SIGN	DESCRIPTION
A	Initial Release	2017/01/03	Aric Ko	Rev. A



Material Specification:
 * Cap: Thermoplastic, Black.
 Environmental Specification:
 * Waterproof Rate: IP68(Mated, 1M/24 Hours)
 Mating Connector:
 * Overmolded with Cable: Q8XX-0XAFFM-QL8AXX

UNIT: mm			TITLE WATERPROOF CAP 08, FEMALE CONN, PUSH LOCK		
TOLERANCE .X ±0.25 .XX ±0.1 .XXX ±0.05 ANGLES ±1°	SCALE 3:1	SIZE A4	SHEET 1	OF 1	
REV. A	WC-REV. A.1	QC: Inspection item			

Amphenol LTW
 安費諾亮泰企業股份有限公司

ITEM NO CAP-WBBFOCA1	DRAWN BY Aric Ko	DATE 2017-01-02
DWG NO CAP-WBBFOCA1	CHECKED BY Victor Hung	DATE 2017-01-02
CUSTOMER ALTW	APPROVED BY Kevin Hu	DATE 2017-01-02

THIS DOCUMENT IS SUBJECT TO CHANGE WITHOUT NOTICE. IT IS CONFIDENTIAL AND A PROPERTY OF AMPHENOL LTW. DISCLOSURE TO THIRD PARTY HAS TO BE AUTHORIZED BY AMPHENOL LTW.